

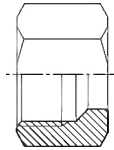
# Compression Fittings, Socket Weld Fittings & Steel Tube

from





**NUT DIN 3870**  
M\*\*\*



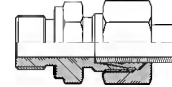
Page 1

**DOUBLE CUTTING RING**  
DS\*\*\*



Page 2

**MALE STUD COUPLING WITH RUBBERSEAL FORM E DIN 3852**  
A\*\*\*WD



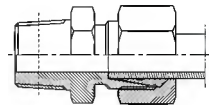
Page 3

**MALE STUD COUPLING SV 60 DEGREE**  
A\*\*\*SA10



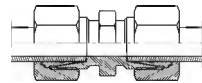
Page 4 & 5

**MALE STUD COUPLING BSPT**  
AP\*\*\*



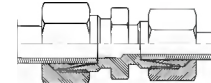
Page 6

**EQUAL STRAIGHT COUPLING**  
E\*\*\*



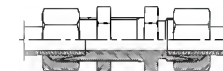
Page 7

**REDUCED STRAIGHT COUPLING**  
ER\*\*\*



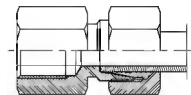
Page 8

**BULKHEAD CONNECTOR**  
K\*\*\*



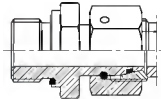
Page 9

**FEMALE STUD COUPLING - BSP**  
AI\*\*\*



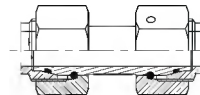
Page 10

**STRAIGHT STUD STANDPIPE ADAPTOR WITH CAPTIVE SEAL AND O RING**  
E DIN3852  
VADKO\*\*\*



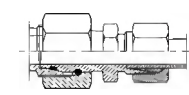
Page 11

**STRAIGHT COUPLING WITH O RING**  
EDKO\*\*\*



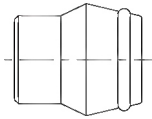
Page 12

**STANDPIPE-TUBE REDUCER O RING SEAL**  
RLDKO\*\*\*  
RSDKO\*\*\*



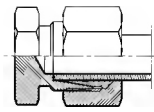
Page 13 & 14

**BLANKING PLUG WITH O RING DIN 24 DEGREE**  
STO\*\*\*



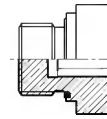
Page 15

**PIPE PLUG DIN 24 DEGREE**  
VSCHK\*\*\*



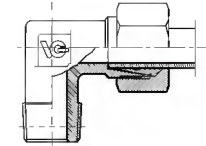
Page 16

**INNER HEXAGON PLUG PACKING RING FORM E DIN 3852**  
VSCHR\*\*\*



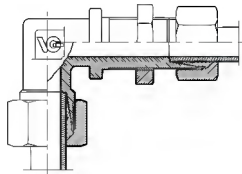
Page 17

**STUD ELBOW**  
B\*\*\*



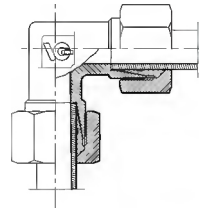
Page 18

**BULKHEAD ELBOW**  
I\*\*\*



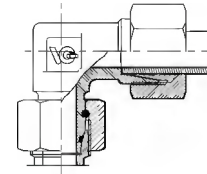
Page 19

**EQUAL ELBOW**  
F\*\*\*



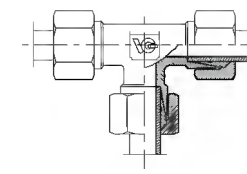
Page 20

**90 DEGREE ROTARY FITTING WITH O RING SEAL**  
VBDKO\*\*\*



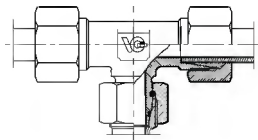
Page 21

**EQUAL TEE**  
G\*\*\*



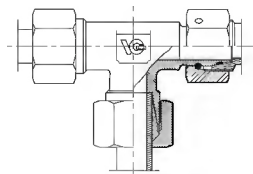
Page 22

**BRANCH TEE ROTARY FITTING WITH O RING SEAL**  
VCDKO\*\*\*



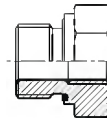
Page 23

**RUN TEE ROTARY FITTING WITH O RING SEAL**  
VDDKO\*\*\*



Page 24

**REDUCING PLUG MALE BSPP - FIXED FEMALE BSPP**  
RI\*\*\*



Page 25

**CHOKE-FREE BANJO  
COUPLINGS  
(BSP PARALLEL)**

SB\*\*\*RL  
SB\*\*\*RS



Page 26

**HIGH PRESSURE BANJO  
COUPLINGS  
(BSP PARALLEL)**

SBE\*\*\*RL  
SBE\*\*\*RS



Page 27

**COLD DRAWN SEAMLESS -  
STEEL TUBE  
Metric O/D to DIN 2391/C  
ST37.4NBK  
ST\*\*\***



Page 28

**ZINC PLATED - STEEL TUBE  
Metric O/D to DIN 2391/C  
ST37.4NBK  
ZT\*\*\***



Page 29

**SOCKET WELD FITTINGS -  
MALE ADAPTOR**



Page 30

**SOCKET WELD FITTINGS -  
FEMALE ADAPTOR**



Page 31

**SOCKET WELD FITTINGS -  
90 DEGREE ELBOW**



Page 32

**SOCKET WELD FITTINGS -  
EQUAL TEE**



Page 33

**SOCKET WELD FITTINGS -  
REDUCING INSERT**



Page 34

**SOCKET WELD FITTINGS -  
STRAIGHT**



Page 35

**SOCKET WELD - WELD  
NIPPLE (STANDARD)**



Page 36

**SOCKET WELD - WELD  
NIPPLE (EXTENDED)**



Page 36



**SOCKET WELD FITTINGS -  
MALE ADAPTOR -  
(STAINLESS STEEL)**



Page 37

**SOCKET WELD FITTINGS -  
FEMALE ADAPTOR -  
(STAINLESS STEEL)**



Page 38

**SOCKET WELD FITTINGS -  
90 DEGREE ELBOW  
(STAINLESS STEEL)**



Page 39

**SOCKET WELD FITTINGS -  
EQUAL TEE  
(STAINLESS STEEL)**



Page 40

**SOCKET WELD FITTINGS -  
STRAIGHT  
(STAINLESS STEEL)**



Page 41

**SOCKET WELD - WELD  
NIPPLE (EXTENDED) -  
(STAINLESS STEEL)**



Page 42

**PRESSURE GAUGES**

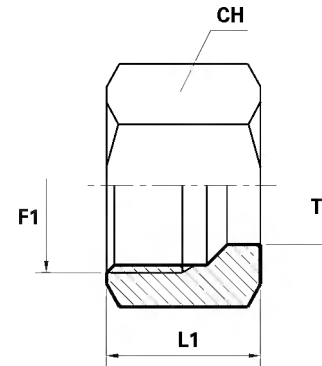


Page 43



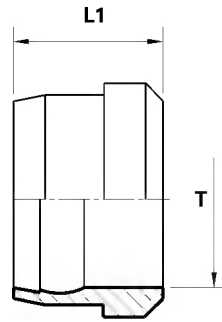
## NUT DIN 3870 M\*\*\*

Code	Thread	Dimensions			PN Bar	Series
		T mm	L1 mm	CH mm		
M6L	12x1.5	6	14.5	14	315	L
M8L	14x1.5	8	14.5	17	315	L
M10L	16x1.5	10	15.5	19	315	L
M12L	18x1.5	12	15.5	22	315	L
M15L	22x1.5	15	17	27	315	L
M18L	26x1.5	18	18	32	315	L
M22L	30x2	22	20	36	160	L
M28L	36x2	28	21	41	160	L
M35L	45x2	35	24	50	160	L
M42L	52x2	42	24	60	160	L
M6S	14x1.5	6	16.5	17	630	S
M8S	16x1.5	8	16.5	19	630	S
M10S	18x1.5	10	17.5	22	630	S
M12S	20x1.5	12	17.5	24	630	S
M14S	22x1.5	14	20.5	27	630	S
M16S	24x1.5	16	20.5	30	400	S
M20S	30x2	20	24	36	400	S
M25S	36x2	25	27	46	400	S
M30S	42x2	30	29	50	400	S
M38S	52x2	38	32.5	60	315	S



## DOUBLE CUTTING RING DS\*\*\*

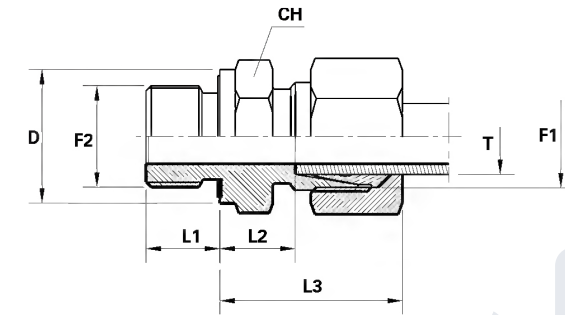
Code	Dimensions		PN Bar	Series
	T mm	L1 mm		
DS6LS	6	9.5	315	L
DS8LS	8	9.5	315	L
DS10LS	10	10	315	L
DS12LS	12	10	315	L
DS15L	15	10	315	L
DS18L	18	10.5	315	L
DS22L	22	11	160	L
DS28L	28	11	160	L
DS35L	35	13.5	160	L
DS42L	42	13.5	160	L
DS14S	14	10	630	S
DS16S	16	10.5	400	S
DS20S	20	13	400	S
DS25S	25	13	400	S
DS30S	30	13.5	400	S
DS38S	38	13.5	315	S





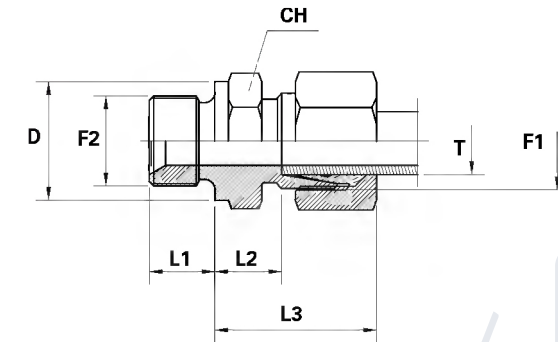
## MALE STUD COUPLING WITH RUBBERSEAL FORM E DIN 3852 A\*\*\*WD

Code	Thread		T mm	CH mm	Dimensions			D mm	PN Bar	Series
	F1	F2			L1 mm	L2 mm	L3 mm			
A6RLWD	12x1.5	1/8"	6	14	8	8.5	23	14	315	L
A6LR1/4WD	12x1.5	1/4"	6	19	12	10	25	18	315	L
A8LR3/8WD	14x1.5	3/8"	8	22	12	11.5	26	22	315	L
A10LR3/8WD	16x1.5	3/8"	10	22	12	12.5	27	22	315	L
A12RLWD	18x1.5	3/8"	12	22	12	12.5	27	22	315	L
A12LR1/2WD	18x1.5	1/2"	12	27	14	13	28	26	315	L
A15RLWD	22x1.5	1/2"	15	27	14	14	29	26	315	L
A15LR3/4WD	22x1.5	3/4"	15	32	16	15	30	32	315	L
A18RLWD	26x1.5	1/2"	18	27	14	14.5	31	26	315	L
A22RLWD	30x2	3/4"	22	32	16	16.5	33	32	160	L
A28RLWD	36x2	1"	28	41	18	17.5	34	40	160	L
A35RLWD	45x2	1-1/4"	35	50	20	17.5	39	50	160	L
A42RLWD	52x2	1-1/2"	42	55	22	19	42	55	160	S
A8RSWD	16x1.5	1/4"	8	19	12	15	30	19	630	S
A8SR3/8WD	16x1.5	3/8"	8	22	12	15.5	30	22	630	S
A10RSWD	18x1.5	3/8"	10	22	12	15	31	22	630	S
A16SR3/8WD	24x1.5	3/8"	16	27	12	18	36	22	400	S
A16RSWD	24x1.5	1/2"	16	27	14	18.5	37	27	400	S
A16SR3/4WD	24x1.5	3/4"	16	32	16	20.5	39	32	400	S
A20RSWD	30x2	3/4"	20	32	16	20.5	42	32	400	S
A25SR3/4WD	36x2	3/4"	25	41	16	23	47	32	400	S
A25RSWD	36x2	1"	25	41	18	23	47	40	400	S
A30RSWD	42x2	1-1/4"	30	50	20	23.5	50	50	400	S
A38SR1-1/4"WD	52x2	1-1/4"	38	50	20	26	57	50	315	S
A38RSWD	52x2	1-1/2"	38	55	22	26	57	55	315	S



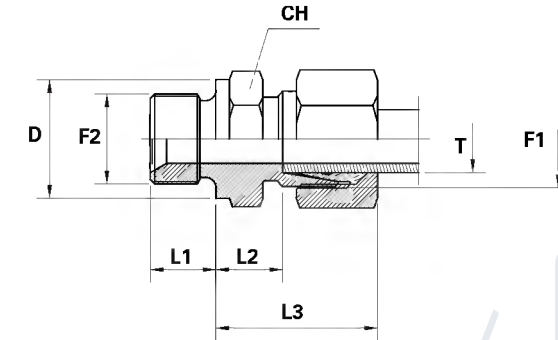
## MALE STUD COUPLING SV 60 DEGREE A\*\*\*SA10

Code	Thread		T mm	CH mm	Dimensions			D mm	PN Bar	Series
	F1	F2			L1 mm	L2 mm	L3 mm			
A6RLSA10	12x1.5	1/8"	6	14	8	8.5	23	14	315	L
A6LR1/4SA10	12x1.5	1/4"	6	19	12	10	25	18	315	L
A6LR3/8SA10	12x1.5	3/8"	6	22	12	11.5	26	22	315	L
A8LR1/8SA10	14x1.5	1/8"	8	14	8	8.5	24	14	315	L
A8RLSA10	14x1.5	1/4"	8	19	12	10	25	18	315	L
A8LR3/8SA10	14x1.5	3/8"	8	22	12	11.5	26	22	315	L
A10RLSA10	16x1.5	1/4"	10	19	12	11	26	18	315	L
A10LR3/8SA10	16x1.5	3/8"	10	22	12	12.5	27	22	315	L
A10LR1/2SA10	16x1.5	1/2"	10	27	14	13	28	26	315	L
A12LR1/4SA10	18x1.5	1/4"	12	19	12	12	27	18	315	L
A12RLSA10	18x1.5	3/8"	12	22	12	12.5	27	26	315	L
A12LR1/2SA10	18x1.5	1/2"	12	27	14	13	28	26	315	L
A15LR3/8SA10	22x1.5	3/8"	15	24	12	13.5	29	22	315	L
A15RLSA10	22x1.5	1/2"	15	27	14	14	29	26	315	L
A15LR3/4SA10	22x1.5	3/4"	15	32	16	15	30	32	315	L
A18LR3/8SA10	26x1.5	3/8"	18	27	12	14	29	22	315	L
A18RLSA10	26x1.5	1/2"	18	27	14	14.5	31	26	315	L
A18LR3/4SA10	26x1.5	3/4"	18	32	16	14.5	31	32	315	L
A22LR1/2SA10	30x2	1/2"	22	32	14	16.5	33	26	160	L
A22RLSA10	30x2	3/4"	22	32	16	16.5	33	32	160	L
A28LR3/4SA10	36x2	3/4"	28	41	16	17.5	34	32	160	L
A28RLSA10	36x2	1"	28	41	18	17.5	34	39	160	L
A35LR1SA10	45x2	1"	35	46	18	17.5	39	39	160	L
A35RLSA10	45x2	1-1/4"	35	50	20	17.5	39	49	160	L
A42RLSA10	52x2	1-1/2"	42	55	22	19	42	55	160	L



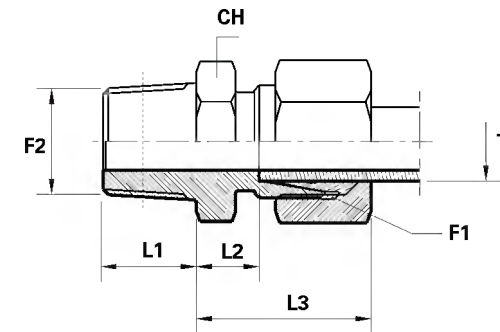
## MALE STUD COUPLING SV 60 DEGREE A\*\*\*SA10 (continued)

Code	Thread		T mm	CH mm	Dimensions			D mm	PN Bar	Series
	F1	F2			L1 mm	L2 mm	L3 mm			
A6RSSA10	14x1.5	1/4"	6	19	12	13	28	18	630	S
A8RSSA10	16x1.5	1/4"	8	19	12	15	30	18	630	S
A8SR3/8SA10	16x1.5	3/8"	8	22	12	15.5	30	22	630	S
A10SR1/4SA10	18x1.5	1/4"	10	19	12	14.5	31	18	630	S
A10RSSA10	18x1.5	3/8"	10	22	12	15	31	22	630	S
A10RSR1/2SA10	18x1.5	1/2"	10	27	14	17.5	34	26	630	S
A12SR1/4SA10	20x1.5	1/4"	12	22	12	16.5	33	18	630	S
A12RSSA10	20x1.5	3/8"	12	22	12	17	33	22	630	S
A12SR1/2SA10	20x1.5	1/2"	12	27	14	17.5	34	26	630	S
A14SR3/8SA10	22x1.5	3/8"	14	24	12	18.5	36.5	22	630	S
A16SR3/8SA10	24x1.5	3/8"	16	27	12	18	36	22	400	S
A16RSSA10	24x1.5	1/2"	16	27	14	18.5	37	26	400	S
A16SR3/4SA10	24x1.5	3/4"	16	32	16	20.5	39	32	400	S
A20SR1/2SA10	30x2	1/2"	20	32	14	20.5	42	26	400	S
A20RSSA10	30x2	3/4"	20	32	16	20.5	42	32	400	S
A20SR1SA10	30x2	1"	20	41	18	22.5	44	39	400	S
A25SR3/4SA10	36x2	3/4"	25	41	16	23	47	32	400	S
A25RSSA10	36x2	1"	25	41	18	23	47	39	400	S
A30SR1SA10	42x2	1"	30	46	18	23.5	50	39	400	S
A30RSSA10	42x2	1-1/4"	30	50	20	23.5	50	49	400	S
A38RSSA10	52x2	1-1/2"	38	55	22	26	57	55	315	S



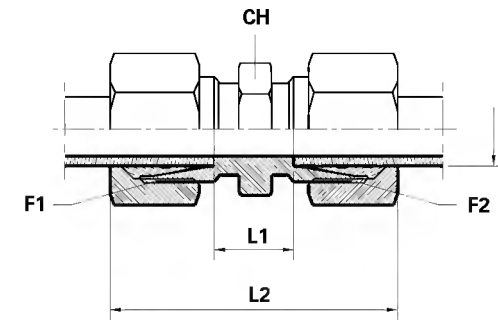
## MALE STUD COUPLING BSPT AP\*\*\*

Code	Thread		T mm	CH mm	Dimensions			PN Bar	Series
	F1	F2			L1 mm	L2 mm	L3 mm		
AP6LR1/8	12x1.5	1/8"	6	12	10	7	23	315	L
AP6LR1/4	12x1.5	1/4"	6	14	13	8	24	315	L
AP8LR1/4	14x1.5	1/4"	8	17	13	8	25	315	L
AP8LR3/8	14x1.5	3/8"	8	19	13	9	26	315	L
AP10LR1/4	16x1.5	1/4"	10	17	13	9	26	315	L
AP12LR1/4	18x1.5	1/4"	12	19	13	10	27	315	L
AP12LR3/8	18x1.5	3/8"	12	19	13	10	27	315	L



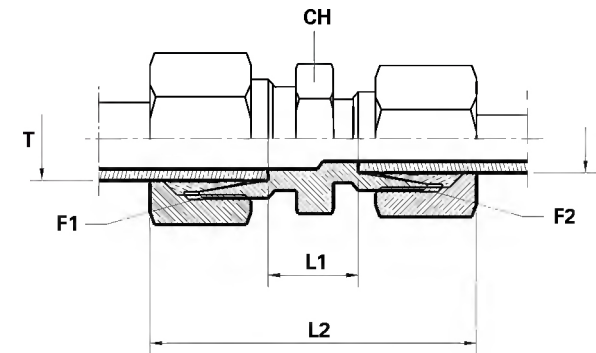
## EQUAL STRAIGHT COUPLING E\*\*\*

Code	Thread		T mm	Dimensions			PN Bar	Series
	F1	F2		CH mm	L1 mm	L2 mm		
E6L	12x1.5	12x1.5	6	12	10	39	315	L
E8L	14x1.5	14x1.5	8	14	11	40	315	L
E10L	16x1.5	16x1.5	10	17	13	42	315	L
E12L	18x1.5	18x1.5	12	19	14	43	315	L
E15L	22x1.5	22x1.5	15	24	16	46	315	L
E18L	26x1.5	26x1.5	18	27	16	48	315	L
E22L	30x2	30x2	22	32	20	52	160	L
E28L	36x2	36x2	28	41	21	54	160	L
E35L	45x2	45x2	35	46	20	63	160	L
E42L	52x2	52x2	42	55	21	6	160	L
E6S	14x1.5	14x1.5	6	14	16	45	630	S
E8S	16x1.5	16x1.5	8	17	18	47	630	S
E10S	18x1.5	18x1.5	10	19	17	49	630	S
E12S	20x1.5	20x1.5	12	22	19	51	630	S
E14S	22x1.5	22x1.5	14	24	22	57	630	S
E16S	24x1.5	24x1.5	16	27	21	57	400	S
E20S	30x2	30x2	20	32	23	66	400	S
E25S	36x2	36x2	25	41	26	74	400	S
E30S	42x2	42x2	30	46	27	80	400	S
E38S	52x2	52x2	38	55	29	90	315	S



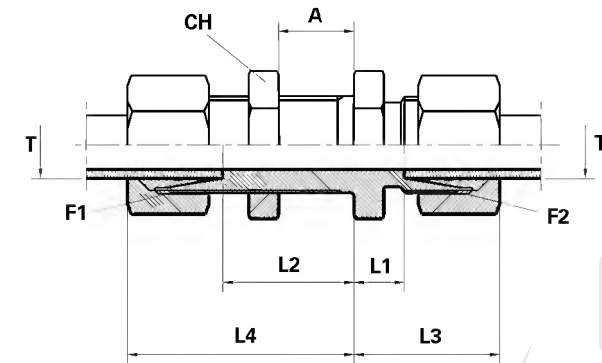
## REDUCED STRAIGHT COUPLING ER\*\*\*

Code	Thread		Dimensions					PN Bar	Series
	F1	F2	T mm	T2 mm	L1 mm	L2 mm	CH mm		
ER8/6L	14x1.5	12x1.5	8	6	11	39.5	14	315	L
ER10/6L	16x1.5	12x1.5	10	6	11.5	40.5	17	315	L
ER10/8L	16x1.5	14x1.5	10	8	11.5	41	17	315	L
ER12/8L	18x1.5	14x1.5	12	8	12.5	41.5	19	315	L
ER12/10L	18x1.5	16x1.5	12	10	13.5	42.5	19	315	L
ER15/10L	22x1.5	16x1.5	15	10	14.5	44	24	315	L
ER18/12L	26x1.5	18x1.5	18	12	15	45.5	27	315	L
ER22/18L	30x2	26x1.5	22	18	18	50	32	160	L
ER10/8S	18x1.5	16x1.5	10	8	17.5	48	19	630	S
ER20/16S	30x2	24x1.5	20	16	24	61.5	32	400	S
ER25/16S	36x2	24x1.5	25	16	27.5	65.5	41	400	S
ER25/20S	36x2	30x2	25	20	25.5	70	41	400	S
ER30/20S	42x2	30x2	30	20	28	73	46	400	S
ER30/25S	42x2	36x2	30	25	28.5	77	46	400	S
ER38/30S	52x2	42x2	38	30	30.5	85	55	315	S



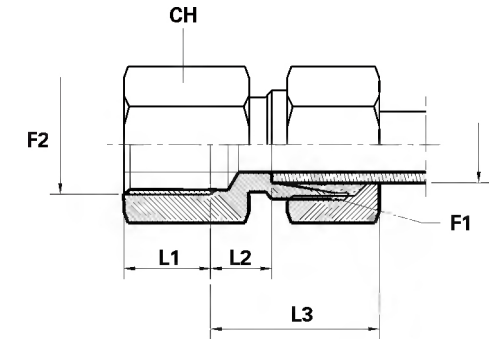
## BULKHEAD CONNECTOR K\*\*\*

Code	Thread		T1 mm	CH mm	Dimensions					PN Bar	Series
	F1	F2			A mm	L1 mm	L2 mm	L3 mm	L4 mm		
K6L	12x1.5	12x1.5	6	17	16	7	27	22	42	315	L
K8L	14x1.5	14x1.5	8	19	16	8	27	23	42	315	L
K10L	16x1.5	16x1.5	10	22	16	10	28	25	43	315	L
K12L	18x1.5	18x1.5	12	24	16	10	29	25	44	315	L
K15L	22x1.5	22x1.5	15	27	16	12	31	27	46	315	L
K18L	26x1.5	26x1.5	18	32	16	13.5	32.5	30	49	315	L
K22L	30x2	30x2	22	36	16	16.5	34.5	33	51	160	L
K28L	36x2	36x2	28	41	16	18.5	35.5	35	52	160	L
K35L	45x2	45x2	35	50	16	18.5	36.5	40	58	160	L
K42L	52x2	52x2	42	60	16	19	36	42	59	160	L
K6S	14x1.5	14x1.5	6	19	16	12	29	27	44	630	S
K8S	16x1.5	16x1.5	8	22	16	13	29	28	44	630	S
K10S	18x1.5	18x1.5	10	24	16	14.5	29.5	31	46	630	S
K12S	20x1.5	20x1.5	12	27	16	14.5	30.5	31	47	630	S
K14S	22x1.5	22x1.5	14	30	16	17	32	35	50	630	S
K16S	24x1.5	24x1.5	16	32	16	16.5	31.5	35	50	400	S
K20S	30x2	30x2	20	41	16	17.5	33.5	39	55	400	S
K25S	36x2	36x2	25	46	16	20	35	44	59	400	S
K30S	42x2	42x2	30	50	16	21.5	37.5	48	64	400	S
K38S	52x2	52x2	38	65	16	22	37	53	68	315	S



## FEMALE STUD COUPLING - BSP AI\*\*\*

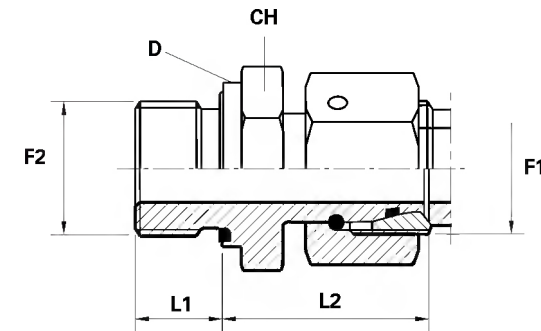
Code	Thread		T mm	Dimensions				PN Bar	Series
	F1	F2		CH mm	L1 mm	L2 mm	L3 mm		
AI6LR1/8	12x1.5	1/8"	6	14	10	9	23.5	315	L
AI8LR1/4	14x1.5	1/4"	8	19	14	10	25	315	L
AI10LR1/4	16x1.5	1/4"	10	19	14	11	26	315	L
AI12LR3/8	18x1.5	3/8"	12	24	14	12	26.5	315	L
AI15LR1/2	22x1.5	1/2"	12	27	17	14	29	315	L
AI18LR1/2	26x1.5	1/2"	18	27	17	13.5	30	315	L
AI22LR3/4	30x2	3/4"	22	36	19	16.5	33	160	L
AI28LR1R1	36x2	1"	28	41	21.5	16	32.5	160	L
AI35LR1-1/4	45x2	1-1/4"	35	55	23.5	18	39.5	160	L
AI42LR1-1/2	52x2	1-1/2"	42	60	25.5	17.5	40.5	160	L
AI6SR1/4	14x1.5	1/4"	6	19	14	12	27	630	S
AI8SR1/4	16x1.5	1/4"	8	19	14	12	27	630	S
AI10SR3/8	18x1.5	3/8"	10	24	14	12.5	28.5	630	S
AI12SR3/8	20x1.5	3/8"	12	24	14	12.5	28.5	630	S
AI14SR1/2	22x1.5	1/2"	14	30	17	15	33	630	S
AI16SR1/2	24x1.5	1/2"	16	30	17	14.5	33	400	S
AI20SR3/4	30x2	3/4"	20	36	19	15.5	37	400	S
AI25SR1	36x2	1"	25	41	21.5	15.5	39.5	400	S
AI30SR1-1/4	42x2	1-1/4"	30	55	23.5	19	45.5	400	S
AI38SR1-1/2	52x2	1-1/2"	38	60	25.5	18.5	49.5	315	S





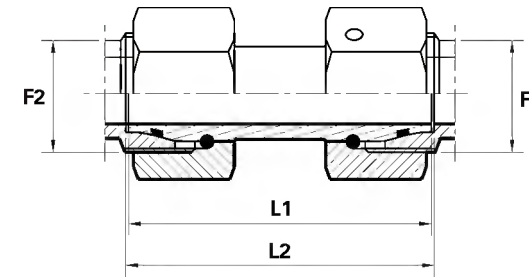
## STRAIGHT STUD STANDPIPE ADAPTOR WITH CAPTIVE SEAL AND O RING E DIN3852 VADKO\*\*\*

Code	Thread		T mm	Dimensions				PN Bar	Series
	F1	F2		CH mm	L1 mm	L2 mm	D mm		
VADKO6RLWD	12x1.5	1/8"	6	14	8	24.5	14	315	L
VADKO8RLWD	14x1.5	1/4"	8	19	12	29.5	19	315	L
VADKO10RLWD	16x1.5	1/4"	10	19	12	27.5	19	315	L
VADKO12RLWD	18x1.5	3/8"	12	22	12	34	22	315	L
VADKO15RLWD	22x1.5	1/2"	15	27	14	32	27	315	L
VADKO18RLWD	26x1.5	1/2"	18	27	14	31.5	27	315	L
VADKO22RLWD	30x2	3/4"	22	32	16	32.5	32	160	L
VADKO28RLWD	36x2	1"	28	41	18	35	40	160	L
VADKO35RLWD	45x2	1-1/4"	35	50	20	42.5	50	160	L
VADKO42RLWD	52x2	1-1/2"	42	55	22	46.5	55	160	L
VADKO6RSWD	14x1.5	1/4"	6	19	12	27	19	630	S
VADKO8RSWD	16x1.5	1/4"	8	19	12	29.5	19	630	S
VADKO10RSWD	18x1.5	3/8"	10	22	12	32	22	630	S
VADKO12RSWD	20x1.5	3/8"	12	22	12	34	22	630	S
VADKO14RSWD	22x1.5	1/2"	14	27	14	36.5	27	630	S
VADKO16RSWD	24x1.5	1/2"	16	27	14	37	27	400	S
VADKO20RSWD	30x2	3/4"	20	32	16	43	32	400	S
VADKO25RSWD	36x2	1"	25	41	18	48	40	400	S
VADKO30RSWD	42x2	1-1/4"	30	50	20	51	50	400	S
VADKO38RSWD	52x2	1-1/2"	38	55	22	60	55	315	S



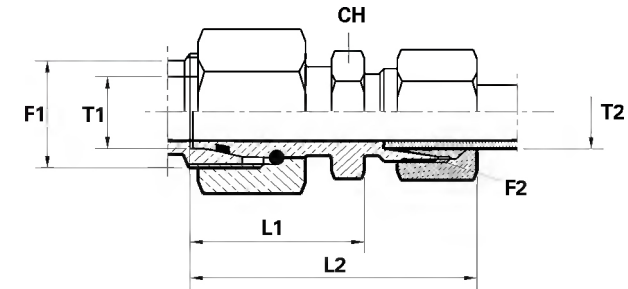
## STRAIGHT COUPLING WITH O RING EDKO\*\*\*

Code	Thread		T mm	Dimensions			PN Bar	Series
	F1	F2		CH mm	L1 mm	L2 mm		
EDKO6L	12x1.5	12x1.5	6	12	34	35	315	L
EDKO8L	14x1.5	14x1.5	8	14	34	35	315	L
EDKO10L	16x1.5	16x1.5	10	14	36	37	315	L
EDKO12L	18x1.5	18x1.5	12	19	36	37	315	L
EDKO15L	22x1.5	22x1.5	15	22	39	40	315	L
EDKO18L	26x1.5	26x1.5	18	24	40.5	41.5	315	L
EDKO22L	30x2	30x2	22	27	45	46	160	L
EDKO28L	36x2	36x2	28	36	47	48	160	L
EDKO35L	45x2	45x2	35	46	53	56	160	S
EDKO42L	52x2	52x2	42	50	53	57	160	S
EDKO6S	14x1.5	14x1.5	6	14	37	38	630	S
EDKO8S	16x1.5	16x1.5	8	14	37	38	630	S
EDKO10S	18x1.5	18x1.5	10	19	41	43	630	S
EDKO12S	20x1.5	20x1.5	12	19	42	44	630	S
EDKO14S	22x1.5	22x1.5	14	22	45	48	630	S
EDKO16S	24x1.5	24x1.5	16	22	46	49	400	S
EDKO20S	30x2	30x2	20	27	55	59	400	S
EDKO25S	36x2	36x2	25	36	58	65	400	S
EDKO30S	42x2	42x2	30	46	62	71	400	S
EDKO38S	52x2	52x2	38	50	67	82	315	S



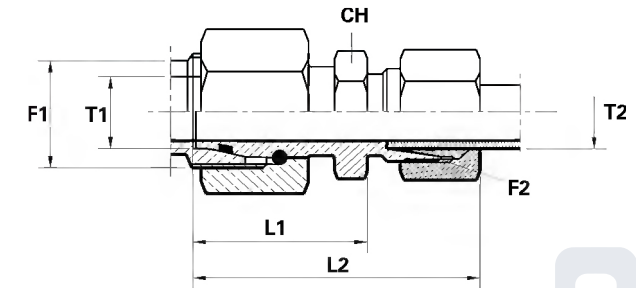
## STANDPIPE-TUBE REDUCER O RING SEAL RLDKO\*\*\*

Code	Thread		T1 mm	T2 mm	Dimensions			PN Bar	Series
	F1	F2			CH mm	L1 mm	L2 mm		
RLDKO10/6	16x1.5	12x1.5	10	6	14	25	40	315	L
RLDKO15/6	22x1.5	12x1.5	15	6	19	28.5	43	315	L
RLDKO15/8	22x1.5	14x1.5	15	8	19	28.5	43	315	L
RLDKO15/12	22x1.5	18x1.5	15	12	19	29.5	44	315	L
RLDKO18/6	26x1.5	12x1.5	18	6	24	28	43	315	L
RLDKO22/6	30x2	12x1.5	22	6	27	32	47	160	L
RLDKO22/8	30x2	14x1.5	22	8	27	32	47	160	L
RLDKO22/10	30x2	16x1.5	22	10	27	33	46	160	L
RLDKO22/12	30x2	18x1.5	22	12	27	33	48	160	L
RLDKO22/15	30x2	22x1.5	22	15	27	34	49	160	L
RLDKO22/18	30x2	26x1.5	22	18	27	33.5	50	160	L
RLDKO28/6	36x2	12x1.5	28	6	32	34	49	160	L
RLDKO28/8	36x2	14x1.5	28	8	32	34	49	160	L
RLDKO28/10	36x2	16x1.5	28	10	32	35	50	160	L
RLDKO28/15	36x2	22x1.5	28	15	32	36	51	160	L
RLDKO28/22	36x2	30x2	28	22	32	37.5	54	160	L
RLDKO35/22	45x2	30x2	35	22	41	40.5	57	160	L
RLDKO35/28	45x2	36x2	35	28	41	40.5	57	160	L
RLDKO42/22	52x2	30x2	42	22	50	44	60	160	L
RLDKO42/35	52x2	42x2	42	35	50	43	65	160	L
RSDKO8/6	16x1.5	14x1.5	8	6	14	27	42	630	S
RSDKO10/6	18x1.5	14x1.5	10	6	17	27.5	42	630	S
RSDKO10/8	18x1.5	16x1.5	10	8	17	27.5	42	630	S
RSDKO12/8	20x1.5	16x1.5	12	8	17	29	44	630	S
RSDKO12/10	20x1.5	18x1.5	12	10	19	29.5	46	630	S
RSDKO16/6	24x1.5	14x1.5	16	6	22	32	47	400	S
RSDKO16/8	24x1.5	16x1.5	16	8	22	32	47	400	S
RSDKO16/10	24x1.5	18x1.5	16	10	22	31.5	48	400	S
RSDKO16/12	24x1.5	20x1.5	16	12	22	31.5	48	400	S



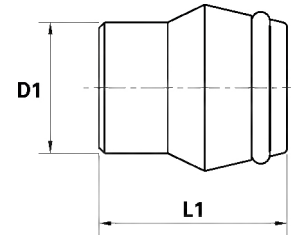
## STANDPIPE-TUBE REDUCER O RING SEAL RSDKO\*\*\*

Code	Thread		T1 mm	T2 mm	Dimensions			PN Bar	Weight kg	Series
	F1	F2			CH mm	L1 mm	L2 mm			
RSDKO20/6	30x2	14x1.5	20	6	27	36	51	400	0.19	S
RSDKO20/8	30x2	16x1.5	20	8	27	35.5	51	400	0.205	S
RSDKO20/10	30x2	18x1.5	20	10	27	35.5	52	400	0.205	S
RSDKO20/16	30x2	24x1.5	20	16	27	38.5	55	400	0.26	S
RSDKO25/6	36x2	14x1.5	25	6	32	38.5	53	400	0.31	S
RSDKO25/8	36x2	16x1.5	25	8	32	38	53	400	0.32	S
RSDKO25/10	36x2	18x1.5	25	10	32	38	54	400	0.335	S
RSDKO25/12	36x2	20x1.5	25	12	32	38	54	400	0.335	S
RSDKO25/16	36x2	24x1.5	25	16	32	39	57	400	0.375	S
RSDKO25/20	36x2	30x2	25	20	32	39	61	400	0.435	S
RSDKO30/6	42x2	14x1.5	30	6	41	44	59	400	0.43	S
RSDKO30/8	42x2	16x1.5	30	8	41	44	59	400	0.43	S
RSDKO30/10	42x2	18x1.5	30	10	41	43.5	60	400	0.435	S
RSDKO30/12	42x2	20x1.5	30	12	41	43.5	60	400	0.445	S
RSDKO30/20	42x2	30x2	30	20	41	44.5	66	400	0.535	S
RSDKO38/12	52x2	20x1.5	38	12	50	47	63	315	0.72	S
RSDKO38/16	52x2	24x1.5	38	16	50	48	66	315	0.77	S
RSDKO38/20	52x2	30x2	38	20	50	48	70	315	0.81	S
RSDKO38/25	52x2	36x2	38	25	50	48.5	73	315	0.85	S
RSDKO38/30	52x2	42x2	38	30	50	49	76	315	0.88	S



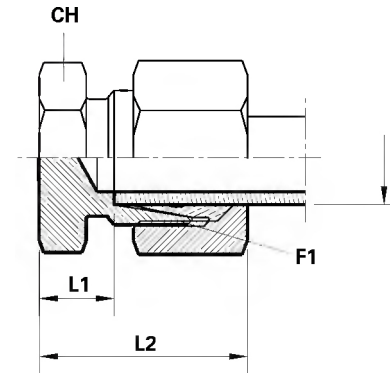
## BLANKING PLUG WITH O RING DIN 24 DEGREE STO\*\*\*

Code	Dimensions			PN Bar	Weight kg	Series
	T1 mm	D1 mm	L1 mm			
STO6/L/S/O	6	6	18.5	315	0.006	L
STO8/L/S/O	8	8	18.5	315	0.009	L
STO10/L/S/O	10	10	20	315	0.014	L
STO12/L/S/O	12	12	20.5	315	0.019	L
STO15/L/O	15	15	20.5	315	0.032	L
STO18/L/O	18	18	22.5	315	0.062	L
STO22/L/O	22	22	25	160	0.1	L
STO28/L/O	28	28	25.5	160	0.15	L
STO35/L/O	35	35	30	160	0.253	L
STO42/L/O	42	42	30	160	0.36	L
STO14/S/O	14	14	22.5	630	0.027	S
STO16/S/O	16	16	23.5	400	0.045	S
STO20/S/O	20	20	28.5	400	0.078	S
STO25/S/O	25	25	29	400	0.12	S
STO30/S/O	30	30	30.5	400	0.18	S
STO38/S/O	38	38	33	315	0.31	S



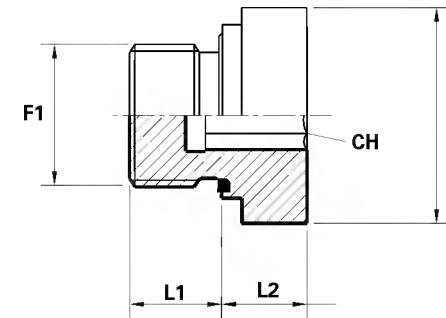
## PIPE PLUG DIN 24 DEGREE VSCHK\*\*\*

Code	Thread	T mm	Dimensions			PN Bar	Series
	F1		CH mm	L1 mm	L2 mm		
VSCHK6L	12x1.5	6	12	7	14	315	L
VSCHK8L	14x1.5	8	13	8	15	315	L
VSCHK10L	16x1.5	10	17	9	16	315	L
VSCHK12L	18x1.5	12	19	10	17	315	L
VSCHK15L	22x1.5	15	24	11	18	315	L
VSCHK18L	26x1.5	18	27	11.5	19	315	L
VSCHK22L	30x2	22	32	13.5	21	160	L
VSCHK28L	36x2	28	41	14.5	22	160	L
VSCHK35L	45x2	35	46	14.5	25	160	L
VSCHK42L	52x2	42	55	16	27	160	L
VSCHK6S	14x1.5	6	14	11	18	630	S
VSCHK8S	16x1.5	8	17	13	20	630	S
VSCHK10S	18x1.5	10	19	12.5	20	630	S
VSCHK12S	20x1.5	12	22	14.5	22	630	S
VSCHK14S	22x1.5	14	24	16	24	630	S
VSCHK16S	24x1.5	16	27	15.5	24	400	S
VSCHK20S	30x2	20	32	17.5	28	400	S
VSCHK25S	36x2	25	41	20	32	400	S
VSCHK30S	42x2	30	46	20.5	34	400	S
VSCHK38S	52x2	38	55	23	39	315	S



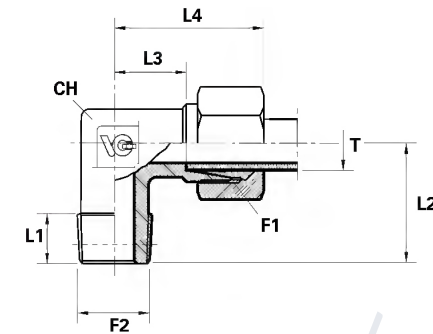
## INNER HEXAGON PLUG PACKING RING FORM E DIN 3852 VSCHR\*\*\*

Code	Thread	CH mm	Dimensions			Mt NM	Weight kg
	F1		L1 mm	L2 mm	D mm		
VSCHR1/8WD	1/8"	5	8	4	14	10	0.007
VSCHR1/4WD	1/4"	6	12	5	19	30	0.018
VSCHR3/8WD	3/8"	8	12	5	22	35	0.027
VSCHR1/2WD	1/2"	10	14	5	27	60	0.045
VSCHR3/4WD	3/4"	12	16	5	32	90	0.071
VSCHR1WD	1"	17	16	6.5	40	140	0.133
VSCHR1-1/4WD	1-1/4"	22	16	6.5	50	240	0.201

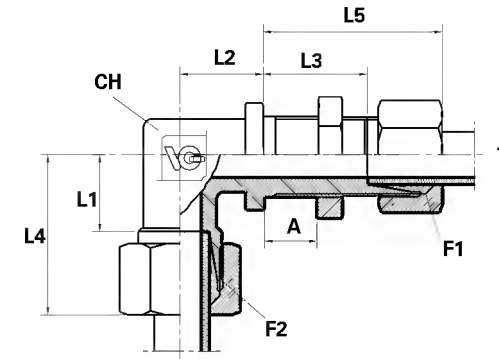


## STUD ELBOW B\*\*\*

Code	Thread		T1 mm	CH mm	Dimensions				PN Bar	Weight kg	Series
	F1	F2			L1 mm	L2 mm	L3 mm	L4 mm			
B6RL	12x1.5	1/8"	6	12	8	20	12	27	315	0.035	L
B8RL	14x1.5	1/4"	8	12	12	26	14	29	315	0.072	L
B10RL	16x1.5	1/4"	10	14	12	27	15	30	315	0.06	L
B10LR3/8	16x1.5	3/8"	10	17	12	28	17	32	315	0.073	L
B12RL	18x1.5	3/8"	12	17	12	28	17	32	315	0.085	L
B12LR1/2	18x1.5	1/2"	12	19	14	34	21	36	315	0.115	L
B15RL	22x1.5	1/2"	15	19	14	34	21	36	315	0.145	L
B22RL	30x2	3/4"	22	27	16	42	27.5	44	160	0.235	L
B6RS	14x1.5	1/4"	6	12	12	26	16	31	630	0.055	S
B8RS	16x1.5	1/4"	8	14	12	27	17	32	630	0.072	S
B12RS	20x1.5	3/8"	12	17	12	28	21.5	38	630	0.11	S
B12SR1/2	20x1.5	1/2"	12	19	14	32	22.5	39	630	0.139	S
B16RS	25x1.5	1/2"	16	24	14	32	24.5	43	400	0.195	S
B25RS	36x2	1"	25	36	18	48	30	54	400	0.57	S
B38RS	52x2	1-1/3"	38	50	22	61	41	72	315	1.17	S







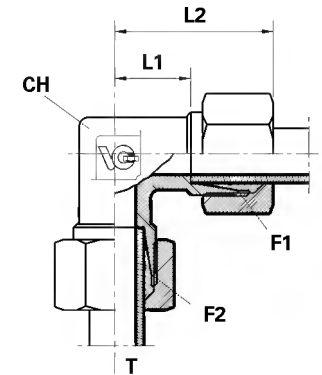
## BULKHEAD ELBOW L\*\*\*

Code	Thread		T mm	CH mm	A mm	Dimensions					D mm	PN Bar	Weight kg	Series
	F1	F2				L1 mm	L2 mm	L3 mm	L4 mm	L5 mm				
L6L	12x1.5	12x1.5	6	12	16	12	14	27	27	42	17	315	0.07	L
L8L	14x1.5	14x1.5	8	12	16	14	17	27	29	42	19	315	0.1	L
L10L	16x1.5	16x1.5	10	14	16	15	18	28	30	43	22	315	0.13	L
L12L	18x1.5	18x1.5	12	17	16	17	20	29	32	44	24	315	0.19	L
L18L	26x1.5	26x1.5	18	24	16	23.5	24	32.5	40	49	32	315	0.38	L
L8S	16x1.5	16x1.5	8	14	16	17	18	29	32	44	22	630	0.13	S
L10S	18x1.5	18x1.5	10	17	16	17.5	20	29.5	34	46	24	630	0.2	S
L12S	20x1.5	20x1.5	12	17	16	21.5	21	30.5	38	47	27	630	0.24	S
L20S	30x2	30x2	20	27	16	26.5	30	33.5	48	55	36	400	0.6	S



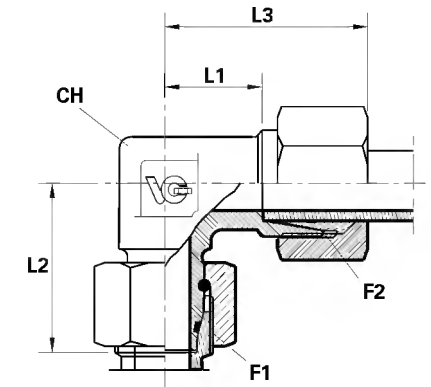
## EQUAL ELBOW F\*\*\*

Code	Thread		T mm	Dimensions			PN Bar	Weight kg	Series
	F1	F2		CH mm	L1 mm	L2 mm			
F6L	12x1.5	12x1.5	6	12	12	27	315	0.042	L
F8L	14x1.5	14x1.5	8	12	14	29	315	0.058	L
F10L	16x1.5	16x1.5	10	14	15	30	315	0.077	L
F12L	18x1.5	18x1.5	12	17	17	32	315	0.098	L
F15L	22x1.5	22x1.5	15	19	21	36	315	0.16	L
F18L	26x1.5	26x1.5	18	24	23.5	40	315	0.24	L
F22L	30x2	30x2	22	27	27.5	44	160	0.32	L
F28L	36x2	36x2	28	36	30.5	47	160	0.424	L
F35L	45x2	45x2	35	41	34.5	56	160	0.765	L
F42L	52x2	52x2	42	50	40	63	160	1.09	L
F6S	14x1.5	14x1.5	6	12	16	31	630	0.071	S
F8S	16x1.5	16x1.5	8	14	17	32	630	0.081	S
F10S	18x1.5	18x1.5	10	17	17.5	34	630	0.129	S
F12S	20x1.5	20x1.5	12	17	21.5	38	630	0.15	S
F14S	22x1.5	22x1.5	14	19	22	40	630	0.21	S
F16S	24x1.5	24x1.5	16	24	24.5	43	400	0.26	S
F20S	30x2	30x2	20	27	26.5	48	400	0.42	S
F25S	36x2	36x2	25	36	30	54	400	0.78	S
F30S	42x2	42x2	30	41	35.5	62	400	0.99	S
F38S	52x2	52x2	38	50	41	72	315	1.33	S



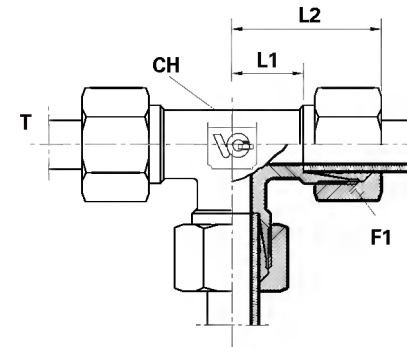
## 90 DEGREE ROTARY FITTING WITH O RING SEAL VBDKO\*\*\*

Code	Thread		T mm	CH mm	Dimensions			PN Bar	Weight kg	Series
	F1	F2			L1 mm	L2 mm	L3 mm			
VBDKO6L	12x1.5	12x1.5	6	12	12	26	27	315	0.04	L
VBDKO8L	14x1.5	14x1.5	8	12	14	27.5	29	315	0.055	L
VBDKO10L	16x1.5	16x1.5	10	14	15	29	30	315	0.07	L
VBDKO12L	18x1.5	18x1.5	12	17	17	29.5	32	315	0.095	L
VBDKO15L	22x1.5	22x1.5	15	19	21	32.5	36	315	0.165	L
VBDKO18L	26x1.5	26x1.5	18	24	23.5	35.5	40	315	0.235	L
VBDKO22L	30x2	30x2	22	27	27.5	38.5	44	160	0.325	L
VBDKO28L	36x2	36x2	28	36	30.5	41.5	47	160	0.525	L
VBDKO35L	45x2	45x2	35	41	34.5	51	56	160	0.69	L
VBDKO42L	52x2	52x2	42	50	40	56	63	160	1.05	L
VBDKO6S	14x1.5	14x1.5	6	12	16	27	31	630	0.062	S
VBDKO8S	16x1.5	16x1.5	8	14	17	32.5	32	630	0.075	S
VBDKO10S	18x1.5	18x1.5	10	17	17.5	30	34	630	0.113	S
VBDKO12S	20x1.5	20x1.5	12	17	21.5	31	38	630	0.14	S
VBDKO14S	22x1.5	22x1.5	14	19	22	35	40	630	0.195	S
VBDKO16S	24x1.5	24x1.5	16	24	24.5	36.5	43	400	0.26	S
VBDKO20S	30x2	30x2	20	27	26.5	44.5	48	400	0.405	S
VBDKO25S	36x2	36x2	25	36	30	50	54	400	0.75	S
VBDKO30S	42x2	42x2	30	41	35.5	55	62	400	0.965	S
VBDKO38S	52x2	52x2	38	50	41	63	72	315	1.425	S



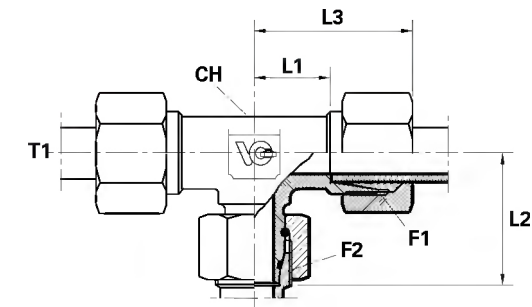
## EQUAL TEE G\*\*\*

Code	Thread	T mm	Dimensions			PN Bar	Weight kg	Series
	F1		CH mm	L1 mm	L2 mm			
G6L	12x1.5	6	12	12	27	315	0.063	L
G8L	14x1.5	8	12	14	29	315	0.085	L
G10L	16x1.5	10	14	15	30	315	0.115	L
G12L	18x1.5	12	17	17	32	315	0.15	L
G15L	22x1,5	15	19	21	36	315	0.245	L
G18L	26x1.5	18	24	23.5	40	315	0.358	L
G22L	30x2	22	27	27.5	44	160	0.479	L
G28L	36x2	28	36	30.5	47	160	0.745	L
G35L	45x2	35	41	34.5	56	160	1	L
G42L	52x2	42	50	40	63	160	1.5	L
G6S	14x1.5	6	12	16	31	630	0.11	S
G8S	16x1.5	8	14	17	32	630	0.142	S
G10S	18x1.5	10	17	17.5	34	630	0.191	S
G12S	20x1.5	12	17	21.5	38	630	0.243	S
G14S	22x1,5	14	19	22	40	630	0.302	S
G16S	24x1.5	16	24	24.5	43	400	0.398	S
G20S	30x2	20	27	26.5	48	400	0.6	S
G25S	36x2	25	36	30	54	400	1.12	S
G30S	42x2	30	41	35.5	62	400	1.46	S
G38S	52x2	38	50	41	72	315	2.06	S



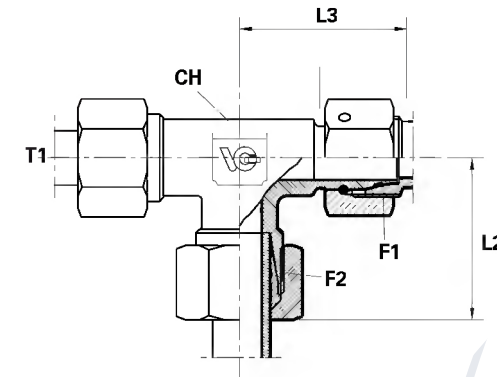
## BRANCH TEE ROTARY FITTING WITH O RING SEAL VCDKO\*\*\*

Code	Thread		T1 mm	CH mm	Dimensions			PN Bar	Weight kg	Series
	F1	F2			L1 mm	L2 mm	L3 mm			
VCDKO6L	12x1.5	12x1.5	6	12	12	26	27	315	0.058	L
VCDKO8L	14x1.5	14x1.5	8	12	14	27.5	29	315	0.079	L
VCDKO10L	16x1.5	16x1.5	10	14	15	29	30	315	0.1	L
VCDKO12L	18x1.5	18x1.5	12	17	17	29.5	32	315	0.135	L
VCDKO15L	22x1.5	22x1.5	15	19	21	32.5	36	315	0.233	L
VCDKO18L	26x1.6	26x1.6	18	24	23.5	35.5	40	315	0.322	L
VCDKO22L	30x2	30x2	22	27	27.5	38.5	44	160	0.443	L
VCDKO28L	36x2	36x2	28	36	30.5	41.5	47	160	0.7	L
VCDKO35L	45x2	45x2	35	41	34.5	51	56	160	0.945	L
VCDKO42L	52x2	52x2	42	50	40	56	63	160	1.465	L
VCDKO6S	14x1.5	14x1.5	6	12	16	27	31	630	0.09	S
VCDKO8S	16x1.5	16x1.5	8	14	17	27.5	32	630	0.118	S
VCDKO10S	18x1.5	18x1.5	10	17	17.5	30	34	630	0.165	S
VCDKO12S	20x1.5	20x1.5	12	17	21.5	31	38	630	0.207	S
VCDKO14S	22x1.5	22x1.5	14	19	22	35	40	630	0.28	S
VCDKO16S	24x1.5	24x1.5	16	24	24.5	36.5	43	400	0.382	S
VCDKO20S	30x2	30x2	20	27	26.5	44.5	48	400	0.583	S
VCDKO25S	36x2	36x2	25	36	30	50	54	400	1.08	S
VCDKO30S	42x2	42x2	30	41	35.5	55	62	400	1.38	S
VCDKO38S	52x2	52x2	38	50	41	63	72	315	2.05	S



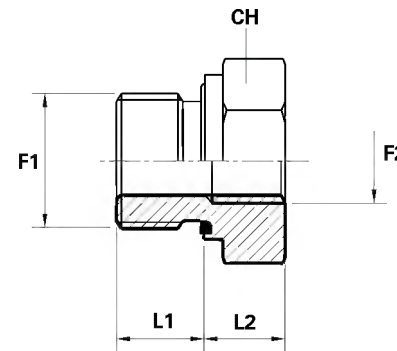
## RUN TEE ROTARY FITTING WITH O RING SEAL VDDKO\*\*\*

Code	Thread		T1 mm	CH mm	Dimensions			PN Bar	Weight kg	Series
	F1	F2			L1 mm	L2 mm	L3 mm			
VDDKO6L	12x1.5	12x1.5	12x1.5	6	12	26	27	315	0.058	L
VDDKO8L	14x1.5	14x1.5	14x1.5	8	12	27.5	29	315	0.079	L
VDDKO10L	16x1.5	16x1.5	16x1.5	10	14	29	30	315	0.1	L
VDDKO12L	18x1.5	18x1.5	18x1.5	12	17	29.5	32	315	0.135	L
VDDKO15L	22x1.5	22x1.5	22x1.5	15	19	32.5	36	315	0.233	L
VDDKO18L	26x1.5	26x1.5	26x1.5	18	24	35.5	40	315	0.322	L
VDDKO22L	30x2	30x2	30x2	22	27	38.5	44	160	0.443	L
VDDKO28L	36x2	36x2	36x2	28	36	41.5	47	160	0.7	L
VDDKO35L	45x2	45x2	45x2	35	41	51	56	160	0.945	L
VDDKO42L	52x2	52x2	52x2	42	50	56	63	160	1.465	L
VDDKO6S	14x1.5	14x1.5	14x1.5	6	12	27	31	630	0.09	S
VDDKO8S	16x1.5	16x1.5	16x1.5	8	14	27.5	32	630	0.118	S
VDDKO10S	18x1.5	18x1.5	18x1.5	10	17	30	34	630	0.165	S
VDDKO12S	20x1.5	20x1.5	20x1.5	12	17	31	38	630	0.207	S
VDDKO14S	22x1.5	22x1.5	22x1.5	14	19	35	40	630	0.28	S
VDDKO16S	24x1.5	24x1.5	24x1.5	16	24	36.5	43	400	0.382	S
VDDKO20S	30x2	30x2	30x2	20	27	44.5	48	400	0.583	S
VDDKO25S	36x2	36x2	36x2	25	36	50	54	400	1.08	S
VDDKO30S	42x2	42x2	42x2	30	41	55	62	400	1.38	S
VDDKO38S	52x2	52x2	52x2	38	50	63	72	315	2.05	S



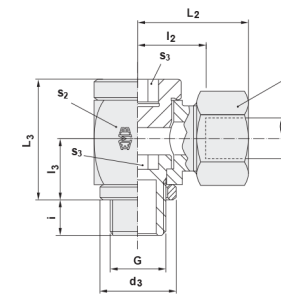
## REDUCING PLUG MALE BSPP - FIXED FEMALE BSPP RI\*\*\*

Code	Thread		Dimensions			
	F1	F2	CH mm	L1 mm	L mm	PN Bar
RI1/4-1/8	1/4"	1/8"	19	11	18.5	300
RI3/8-1/8	3/8"	1/8"	22	12.5	21.5	280
RI3/8-1/4	3/8"	1/4"	22	12.5	21.5	280
RI1/2-1/8	1/2"	1/8"	27	14	24	200
RI1/2-1/4	1/2"	1/4"	27	14	24	200
RI1/2-3/8	1/2"	3/8"	27	14	24	200
RI3/4-3/8	3/4"	3/8"	32	16	27	200
RI3/4-1/2	3/4"	1/2"	32	16	27	200



## CHOKE-FREE BANJO COUPLINGS (BSP PARALLEL) SB\*\*\*RL SB\*\*\*RS

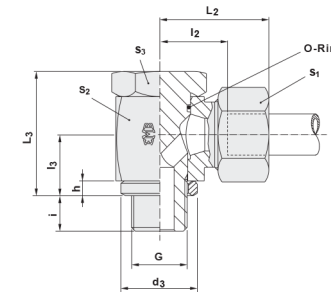
Code	Pipe OD		Dimensions									
	mm	Thread G	S1 mm	S2 mm	S3 mm	L2 mm	I3 mm	I2 mm	L3 mm	d3 mm	i mm	Series
SB6RL	6	1/8"	14	18	6	27	12	12.5	24	14	8	L
SB8RL	8	1/4"	17	22	8	29	16	14.5	30	18	12	L
SB10RL	10	1/4"	19	22	8	30	16	15.5	30	18	12	L
SB12RL	12	3/8"	22	27	10	33	18	18	37	22	12	L
SB15RL	15	1/2"	27	32	12	37	21	22	42	26	14	L
SB18RL	18	1/2"	32	36	12	38	23	21.5	46	26	14	L
SB22RL	22	3/4"	36	46	17	45	28	28.5	58	32	16	L
SB28RL	28	1"	41	50	22	48	30.5	31.5	64	39	18	L
SB35RL	35	1-1/4"	50	60	27	57	37	35.5	76	49	20	L
SB42RL	42	1-1/2"	60	70	32	63	41	40	85	55	22	L
SB6RS	6	1/4"	17	22	8	31	16	16.5	30	18	12	S
SB8RS	8	1/4"	19	22	8	31	16	16.5	30	18	12	S
SB10RS	10	3/8"	22	27	10	35	18	18.5	37	22	12	S
SB12RS	12	3/8"	24	27	10	35	18	18.5	37	22	12	S
SB14RS	14	1/2"	27	32	12	41	21	23	42	26	14	S
SB16RS	16	1/2"	30	36	12	41	23	22.5	46	26	14	S
SB20RS	20	3/4"	36	46	17	49	28	27.5	58	32	16	S
SB25RS	25	1"	46	50	22	55	30.5	31	64	39	18	S
SB30RS	30	1-1/4"	50	60	27	63	36	36.5	76	49	20	S
SB38RS	38	1-1/2"	60	70	32	72	42	41	85	55	22	S





## HIGH PRESSURE BANJO COUPLINGS (BSP PARALLEL) SBE\*\*\*RL SBE\*\*\*RS

Code	Pipe OD		Dimensions											Series
	mm	Thread G	S1	S2	S3	L2	l2	L3	l3	d3	d9	i	h	
SBE6RL	6	1/8"	14	17	17	27	12	24	10.5	14	14.9	8	2.5	L
SBE8RL	8	1/4"	17	22	19	29	14.5	30	14	18	18.9	12	3	L
SBE10RL	10	1/4"	19	22	19	30	15.5	30	14	18	19.9	12	3	L
SBE12RL	12	3/8"	22	27	24	33	18	36	16.5	22	21.9	12	3	L
SBE15RL	15	1/2"	27	32	30	37	21.5	45	21.5	26	26.9	14	4.5	L
SBE18RL	18	1/2"	32	32	30	37	21	45	21.5	26	26.9	14	4.5	L
SBE22RL	22	3/4"	36	41	36	44	27.5	53	24	32	32.9	16	3.5	L
SBE28RL	28	1"	41	50	46	49	32	66	30.5	39	39.9	18	3.5	L
SBE35RL	35	1-1/4"	50	60	55	58	36	76	35.5	49	49.9	20	3.5	L
SBE42RL	42	1-1/2"	60	70	60	63	40.5	87	40.5	55	55.9	22	3.5	L
SBE6RS	6	1/4"	17	22	19	31	16.5	30	14	18	18.9	12	3	S
SBE8RS	8	1/4"	19	22	19	31	16.5	30	14	18	18.9	12	3	S
SBE10RS	10	3/8"	22	27	24	35	18.5	36	16.5	22	21.9	12	3	S
SBE12RS	12	3/8"	24	27	24	35	18.5	36	16.5	22	21.9	12	3	S
SBE14RS	14	1/2"	27	32	30	40	22.5	45	21.5	26	26.9	14	4.5	S
SBE16RS	16	1/2"	30	32	30	40	22	45	21.5	26	26.9	14	4.5	S
SBE20RS	20	3/4"	36	41	36	48	26.5	53	24	32	32.9	16	3.5	S
SBE25RS	25	1"	46	50	46	56	31.5	66	30.5	39	39.9	18	3.5	S
SBE30RS	30	1-1/4"	50	60	55	64	37	76	35.5	49	49.9	20	3.5	S
SBE38RS	38	1-1/2"	60	70	60	72	41.5	87	40.5	55	55.9	22	3.5	S



## COLD DRAWN SEAMLESS - STEEL TUBE Metric O/D to DIN 2391/C ST37.4NBK ST\*\*\*

Code	OD mm	Wall mm	Weight kg/mtr	Working Pressure Bar	Standard Length Metres
ST06X1.0	6	1	0.123	400	6
ST06X1.5	6	1.5	0.166	600	6
ST08X1.5	8	1.5	0.24	450	6
ST10X1.5	10	1.5	0.314	360	6
ST10X2.0	10	2	0.94	480	6
ST12X1.5	12	1.5	0.388	300	6
ST12X2.0	12	2	0.493	400	6
ST14X2.0	14	2	0.592	342	6
ST15X1.5	15	1.5	0.499	240	6
ST16X1.5	16	1.5	0.536	225	6
ST16X2.0	16	2	0.69	300	6
ST16X3.0	16	3	0.962	450	6
ST18X1.5	18	1.5	0.61	200	6
ST20X2.0	20	2	0.888	191	6
ST20X3.0	20	3	1.258	360	6
ST20X4.0	20	4	1.578	480	6
ST22X2.0	20	2	0.986	218	6
ST25X2.0	20	2	1.134	192	6
ST25X3.0	25	3	1.626	288	6
ST28X2.0	28	2	1.128	171	6
ST30X3.0	30	2	2	240	6
ST30X4.0	20	4	2.565	320	6
ST35X2.0	35	2	1.628	137	6
ST38X3.0	38	3	2.589	189	6
ST38X4.0	38	4	3.354	252	6
ST38X5.0	38	5	4.07	315	6
ST42X5.0	45	5	2.89	171	6

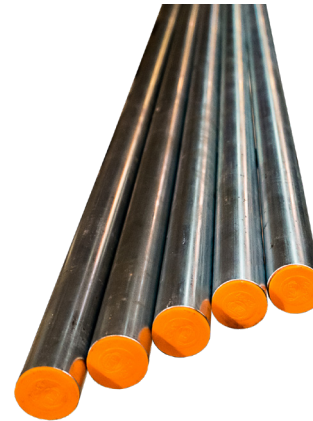


The pressure ratings given in these tables are for guidance purposes only. Your design pressures should include a suitable allowance over the working pressure to allow possible fluctuations of pressure during operation. This allowance should be separately determined for each application. We are able to middle each length prior to shipping, at no additional cost.



## ZINC PLATED - STEEL TUBE Metric O/D to DIN 2391 /C ST37.4NBK ZT\*\*\*

Code	OD mm	Wall mm	Weight kg/mtr	Working Pressure Bar	Standard Length Metres
ZT06X1.0	6	1	0.123	400	6
ZT06X1.5	6	1.5	0.166	600	6
ZT08X1.0	8	1	0.173	300	6
ZT08X1.5	8	1.5	0.24	450	6
ZT10X1.5	10	1.5	0.314	360	6
ZT10X2.0	10	2	0.394	480	6
ZT12X1.5	12	1.5	0.388	300	6
ZT12X2.0	12	2	0.493	400	6
ZT15X1.5	15	1.5	0.499	240	6
ZT16X1.5	16	1.5	0.536	225	6
ZT16X2.0	16	2	0.69	300	6
ZT16X3.0	16	3	0.962	450	6
ZT18X1.5	18	1.5	0.61	200	6
ZT20X2.0	20	2	0.888	191	6
ZT20X3.0	20	3	1.258	360	6
ZT22X2.0	22	2	0.986	218	6
ZT25X2.0	25	2	1.134	192	6
ZT25X3.0	25	3	1.626	288	6
ZT28X2.0	28	2	1.128	171	6
ZT30X3.0	30	3	2	240	6
ZT35X2.0	35	2	1.628	137	6
ZT38X3.0	38	3	2.589	189	6
ZT42X3.0	42	3	2.89	171	6



The pressure ratings given in these tables are for guidance purposes only. Your design pressures should include a suitable allowance over the working pressure to allow possible fluctuations of pressure during operation. This allowance should be separately determined for each application. We are able to middle each length prior to shipping, at no additional cost.



# SOCKET WELD FITTINGS from



## SOCKET WELD FITTINGS - MALE ADAPTOR

Size	Rating	16mm	20mm	25mm	30mm	38mm	42mm (1-1/4" NB)	48mm (1-1/2" NB)	60mm (2" NB)
1/2"	3000								
	6000	HSWA16X1/2	HSWA20X1/2	HSWA25X1/2					
3/4"	3000								
	6000	HSWA16X3/4	HSWA20X3/4	HSWA25X3/4					
1"	3000								
	6000			HSWA25X1	HSWA30X1		HSWA42X1		
1-1/4"	3000								
	6000				HSWA30X1 1/4	HSWA38X1 1/4	HSWA42X1 1/4		
1-1/2"	3000								
	6000					HSWA38X1 1/2	HSWA42X1 1/2	HSWA48X1 1/2	
2"	3000								
	6000								HSWA60X2



# SOCKET WELD FITTINGS from



## SOCKET WELD FITTINGS - FEMALE ADAPTOR

Size	Rating	16mm	20mm	25mm	30mm	38mm	42mm (1-1/4" NB)	48mm (1-1/2" NB)	60mm (2" NB)
1/2"	3000								
	6000	HFSWA16X1/2	HFSWA20X1/2						
3/4"	3000								
	6000	HFSWA16X3/4	HFSWA20X3/4	HFSWA25X3/4					
1"	3000								
	6000			HFSWA25X1	HFSWA30X1				
1-1/4"	3000								
	6000				HFSWA30X1 1/4	HFSWA38X1 1/4	HFSWA42X1 1/4		
1-1/2"	3000								
	6000					HFSWA38X1 1/2	HFSWA42X1 1/2	HFSWA48X1 1/2	
2"	3000								
	6000								HFSWA60X2



# SOCKET WELD FITTINGS from



## SOCKET WELD FITTINGS - 90 DEGREE ELBOW

Size	Rating	16mm	3/4"	20mm	1"	25mm	30mm	38mm	42mm (1-1/4" NB)	48mm (1-1/2" NB)	60mm (2" NB)
16mm	3000	SWE9016									
	6000	HSWE9016 HSWE9016NB									
3/4"	3000		SWE9012NB								
	6000		HSWE9012NB								
20mm	3000			SWE9020							
	6000		HSWE9012NB	HSWE9020							
25mm	3000					SWE9025					
	6000					HSWE9025					
1"	3000				SWE9016NB						
	6000										
30mm	3000						SWE9030				
	6000						HSWE9030				
38mm	3000							SWE9038			
	6000							HSWE9038			
42mm	3000								SWE9042		
	6000								HSWE9042		
48mm	3000									SWE9048	
	6000									HSWE9048	
60mm	3000										SWE9060
	6000										HSWE9060



# SOCKET WELD FITTINGS from



## SOCKET WELD FITTINGS - EQUAL TEE

Size	Rating	16mm	3/4"	20mm	1"	25mm	30mm	38mm	42mm (1-1/4" NB)	48mm (1-1/2" NB)	60mm (2" NB)
16mm	3000	SWT16									
	6000	HSWT16									
3/4"	3000		SWT12NB								
	6000		HSWT12NB								
20mm	3000			SWT20							
	6000			HSWT20							
25mm	3000					SWT25					
	6000					HSWT25					
1"	3000				SWT16NB						
	6000				HSWT16NB						
30mm	3000						SWT30				
	6000						HSWT30				
38mm	3000							SWT38			
	6000							HSWT38			
42mm	3000								SWT42		
	6000								HSWT42		
48mm	3000									SWT48	
	6000									HSWT48	
60mm	3000										SWT60
	6000										HSWT60



# SOCKET WELD FITTINGS from



## SOCKET WELD FITTINGS - REDUCING INSERT

Size	Rating	16mm	3/4"	20mm	1"	25mm	30mm	38mm	42mm (1-1/4" NB)	48mm (1-1/2" NB)	60mm (2" NB)
16mm	3000										
	6000			HSWRI20X16							
3/4"	3000										
	6000										
20mm	3000										
	6000					HSWRI25X20					
25mm	3000										
	6000						HSWRI30X25				
1"	3000										
	6000										
30mm	3000										
	6000							HSWRI38X30			
38mm	3000										
	6000								HSWRI42X38		
42mm	3000										
	6000									HSWRI48X42	
48mm	3000										
	6000										HSWRI60X48
60mm	3000										
	6000										





# SOCKET WELD FITTINGS from



## SOCKET WELD FITTINGS - STRAIGHT

Size	Rating	16mm	3/4"	20mm	1"	25mm	30mm	38mm	42mm (1-1/4" NB)	48mm (1-1/2" NB)	60mm (2" NB)
16mm	3000	SWS16									
	6000	HSWS16									
3/4"	3000		SWS12NB								
	6000		HSWS12NB								
20mm	3000			SWS20							
	6000			HSWS20							
25mm	3000					SWS25					
	6000					HSWS25					
1"	3000				SWS16NB						
	6000				HSWS16NB						
30mm	3000						SWS30				
	6000						HSWS30				
38mm	3000							SWS38			
	6000							HSWS38			
42mm	3000								SWS42		
	6000								HSWS42		
48mm	3000									SWS48	
	6000									HSWS48	
60mm	3000										SWS60
	6000										HSWS60



## SOCKET WELD - WELD NIPPLE (STANDARD)

Code	1	2
SNO16X3.0	16	3
SNO20X4.0	20	4
SNO25X4.0	25	4
SNO30X4.0	30	4
SNO38X5.0	38	5



## SOCKET WELD - WELD NIPPLE (EXTENDED)

Code	1	2
SNE16X3.0	16	3
SNE20X4.0	20	4
SNE25X4.0	25	4
SNE30X4.0	30	4
SNE38X5.0	38	5



# SOCKET WELD FITTINGS from



## SOCKET WELD FITTINGS - MALE ADAPTOR - (STAINLESS STEEL)

Size	Rating	16mm	20mm	25mm	30mm	38mm	42mm (1-1/4" NB)	48mm (1-1/2" NB)	60mm (2" NB)
1-2"	3000								
	6000	SSHSWA16X1/2	SSHSWA20X1/2						
3/4"	3000								
	6000	SSHSWA16X3/4	SSHSWA20X3/4	SSHSWA25X3/4					
1"	3000								
	6000			SSHSWA25X1	SSHSWA30X1				
1-1/4"	3000								
	6000				SSHSWA30X1 1/4	SSHSWA38X1 1/4	SSHSWA42X1 1/4		
1-1/2"	3000								
	6000					SSHSWA38X1 1/2	SSHSWA42X1 1/2	SSHSWA48X1 1/2	
2"	3000								
	6000								



# SOCKET WELD FITTINGS from



## SOCKET WELD FITTINGS - FEMALE ADAPTOR - (STAINLESS STEEL)

Size	Rating	16mm	20mm	25mm	30mm	38mm	42mm (1-1/4" NB)	48mm (1-1/2" NB)	60mm (2" NB)
1-2"	3000								
	6000	SSHFSWA16X1/2	SSHFSWA20X1/2						
3/4"	3000								
	6000	SSHFSWA16X3/4	SSHFSWA20X3/4	SSHFSWA25X3/4					
1"	3000								
	6000			SSHFSWA25X1	SSHFSWA30X1				
1-1/4"	3000								
	6000					SSHFSWA30X11/4	SSHFSWA38X11/4	SSHFSWA42X11/4	
1-1/2"	3000								
	6000						SSHFSWA38X11/2	SSHFSWA42X11/2	SSHFSWA48X11/2
2"	3000								
	6000								SSHFSWA60X2



# SOCKET WELD FITTINGS from



## SOCKET WELD FITTINGS - 90 DEGREE ELBOW (STAINLESS STEEL)

Size	Rating	16mm	3/4"	20mm	1"	25mm	30mm	38mm	42mm (1-1/4" NB)	48mm (1-1/2" NB)	60mm (2" NB)
16mm	3000	SSSWE9016									
	6000	SSHSWE9016									
3/4"	3000										
	6000										
20mm	3000			SSSWE9020							
	6000			SSHSWE9020							
25mm	3000					SSSWE9026					
	6000					SSHSWE9025					
1"	3000										
	6000										
30mm	3000						SSSWE9030				
	6000						SSHSWE9030				
38mm	3000							SSSWE9038			
	6000							SSHSWE9038			
42mm	3000								SSSWE9042		
	6000								SSHSWE9042		
48mm	3000									SSSWE9048	
	6000									SSHSWE9048	
60mm	3000										SSSWE9060
	6000										SSHSWE9060



# SOCKET WELD FITTINGS from



## SOCKET WELD FITTINGS - EQUAL TEE (STAINLESS STEEL)

Size	Rating	16mm	3/4"	20mm	1"	25mm	30mm	38mm	42mm (1-1/4" NB)	48mm (1-1/2" NB)	60mm (2" NB)
16mm	3000	SSSWT16									
	6000	SSHSWT16									
3/4"	3000										
	6000										
20mm	3000			SSSWT20							
	6000			SSHSWT20							
25mm	3000					SSSWT25					
	6000					SSHSWT25					
1"	3000										
	6000										
30mm	3000						SSSWT30				
	6000						SSHSWT30				
38mm	3000							SSSWT38			
	6000							SSHSWT38			
42mm	3000								SSSWT42		
	6000								SSHSWT42		
48mm	3000									SSSWT48	
	6000									SSHSWT48	
60mm	3000										SSSWT60
	6000										SSHSWT60



# SOCKET WELD FITTINGS from



## SOCKET WELD FITTINGS - STRAIGHT (STAINLESS STEEL)

Size	Rating	16mm	3/4"	20mm	1"	25mm	30mm	38mm	42mm (1-1/4" NB)	48mm (1-1/2" NB)	60mm (2" NB)
16mm	3000	SSSWS16									
	6000	SSHSWS16									
3/4"	3000										
	6000										
20mm	3000			SSSWS20							
	6000			SSHSWS20							
25mm	3000					SSSWS25					
	6000					SSHSWS25					
1"	3000										
	6000										
30mm	3000						SSSWS30				
	6000						SSHSWS30				
38mm	3000							SSSWS38			
	6000							SSHSWS38			
42mm	3000								SSSWS42		
	6000								SSHSWS42		
48mm	3000									SSSWS48	
	6000									SSHSWS48	
60mm	3000										SSSWS60
	6000										SSHSWS60



## SOCKET WELD - WELD NIPPLE (EXTENDED) - (STAINLESS STEEL)

Code	1	2
SSSNE16X3.0	16	3
SSSNE20X4.0	20	4
SSSNE25X4.0	25	4
SSSNE30X4.0	30	4
SSSNE38X5.0	38	5
SSSNE42X3.0	42	3





## STEEL PRESSURE GAUGES

Dia. 63mm • Glycerin filled  
1/4" BSP

Bottom & rear connection

Type:

Stem mounting lower connection

Pressures	Ehrco Part Ref:
0 - 60 bar	6103A1000E
0 - 120 bar	6103A1500E
0 - 200 bar	6103A3000E
0 - 250 bar	6103A4000E
0 - 400 bar	6103A6000E

Type:

Stem mounting back connection

Pressures	Ehrco Part Ref:
0 - 60 bar	6103D1000E
0 - 120 bar	6103D2000E
0 - 200 bar	6103D3000E
0 - 250 bar	6103D4000E
0 - 400 bar	6103D6000E



## STAINLESS STEEL PRESSURE GAUGES

Dia. 63mm • Glycerin filled  
1/4" BSP

Bottom & rear connection

Type:

Stem mounting lower connection

Pressures	Ehrco Part Ref:
0 - 60 bar	618A1000DINE
0 - 120 bar	618A2000DINE
0 - 200 bar	618A3000DINE
0 - 250 bar	618A4000DINE
0 - 400 bar	618A6000DINE

Type:

Stem mounting back connection

Pressures	Ehrco Part Ref:
0 - 60 bar	618D1000B
0 - 120 bar	618D2000B
0 - 200 bar	618D3000B
0 - 250 bar	618D4000B
0 - 400 bar	618D6000B



### WHY CHOOSE EHRCO?

EHRCO carry over £1 million of quality branded products. Served by a dedicated knowledgeable team, we deliver the highest service at every stage of the customer requirement



member of



Liquid Gas UK

## TRADE COUNTER

We have a fully stocked trade counter where hose assemblies can be made while you wait



## HOSE ASSEMBLY WORKSHOP

We are able to produce singles, batches and kits for hydraulic, jet wash, LPG & paint spray applications



## PRESSURE TESTING

Up to 2000 BAR with certification on request



EHRCO Limited  
Unit H, Peartree Business Park,  
Crackley Way, Peartree Lane,  
Dudley DY2 0UW  
T: 01384 245000  
F: 01384 245 001  
e: sales@ehrco.ltd.uk





**EHRCO**  
HYDRAULICS  
— Quality from Stock



Unit H, Peartree Business Park, Crackley Way, Peartree Lane, Dudley DY2 0UW

T: 01384 245000 F: 01384 245 001 e: [sales@ehrco.ltd.uk](mailto:sales@ehrco.ltd.uk)