

Beta

Professional Hand Tools

from

EHRCO
HYDRAULICS
— Quality from Stock



EHRCO

Combination Wrenches, Open & Offset Ring Ends, Chrome Plated

DIN 3113 UNI-ISO 7738

Ehrco Part Ref	To Suit mm	L mm	A mm	Ø mm	S1 mm	S2 mm	Weight grams
42-5,5	5.5 x 5.5	95	15.4	10.4	3.4	5.3	13
42-6	6 x 6	95	15.4	10.4	3.4	5.3	13
42-7	7 x 7	105	17.3	11.1	3.6	5.8	16
42-8	8 x 8	116	19.2	12.6	3.9	6.4	21
42-9	9 x 9	127	221.2	14.1	4.2	6.9	27
42-10	10 x 10	137	23.1	15.4	4.5	7.3	34
42-11	11 x 11	148	25.1	16.8	4.8	7.7	43
42-12	12 x 12	158	27.3	18.2	5.1	8.1	52
42-13	13 x 13	169	29.1	19.6	5.6	8.8	64
42-14	14 x 14	180	31.2	21	5.7	9	76
42-15	15 x 15	190	33.1	22.4	6	9.4	88
42-16	16 x 16	201	35.0	23.8	6.3	10	104
42-17	17 x 17	212	36.8	25.2	6.8	10.5	125
42-18	18 x 18	222	39.0	26.7	7	11.1	139
42-19	19 x 19	233	41.0	28	7.5	11.8	159
42-20	20 x 20	243	43.0	29.4	7.7	12.3	185
42-21	21 x 21	254	45.0	30.7	7.9	12.7	204
42-22	22 x 22	264	47.0	32.2	8.3	13.2	226
42-23	23x 23	275	49.0	33.5	8.5	13.7	251
42-24	24x 24	285	50.9	34.9	8.7	14.0	277
42-25	25x 25	296	52.6	36.2	8.7	14.2	307
42-26	26 x 26	307	55.0	37.6	8.9	14.6	339
42-27	27 x 27	317	56.9	39.0	9.1	15.0	371
42-28	28 x 28	328	58.9	40.3	9.3	15.4	405
42-29	29 x 29	338	60.9	41.9	9.5	15.7	445
42-30	30 x 30	349	62.8	43.0	9.7	16.0	481
42-32	32 x 32	370	66.8	45.7	10.1	16.6	560
42-34	34 x 34	391	70.9	48.5	10.5	17.2	650
42-35	35 x 35	412	74.8	51.3	10.7	18.0	761
42-36	36 x 36	412	74.8	51.3	10.7	18.0	746
42-38	38 x 38	433	78.8	54.0	11.3	18.7	857
42-41	41 x 41	465	84.8	58.0	12.0	19.5	1034

Stylish slim combination wrench, enhanced by a slender profile and lighter to the touch



FEATURES:

Head thickness reduced to a minimum, to allow access to all spaces

Torque values more than doubled compared to the requirements to be satisfied under ISO 1711

Improved ergonomics translating into increased force transmission

**** Available for next day delivery from stock ****

Set of 9 Offset Hexagon Key Wrenches (HEX Head)

Ehrco
Part Ref

Sizes included (Set of 9)

96/SC In mm - 1.5, 2, 2.5, 3, 4, 5, 6, 8 & 10

New Support locking system
Functional & Compact



Set of 9 Offset Hexagon Key Wrenches (HEX Head)

Ehrco
Part Ref

Sizes included (Set of 9)

96BPC/SC9-9 In mm - 1.5, 2, 2.5, 3, 4, 5, 6, 8 & 10

New Support locking system
Functional & Compact

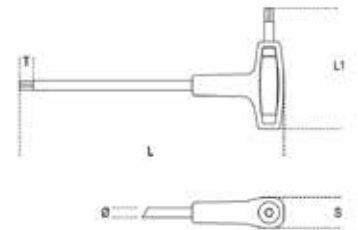


**** Available for
next day delivery from stock ****

EHRCO

Offset Hexagon Key Wrenches, with High Torque Handles

Ehrco Part Ref	mm	L mm	L1 mm	Ø mm	T mm	S mm	Weight grams
96T-2	2	139	52	3	7.0	13.4	13
96T-2,5	2.5	153	55	4	8.0	13.4	21
96T-3	3	153	55	4	8.5	13.4	21
96T-3,5	3.5	179	70	5	9.5	17.8	38
96T-4	4	179	70	5	10.0	17.8	40
96T-4,5	4.5	200	84	6	10.5	22	62
96T-5	5	200	84	6	11.0	22	70
96T-6	6	221	103	7	12.0	24	97
96T-7	7	236	106	9	13.0	26	147
96T-8	8	255	117	10	14.0	26	215
96T-10	10	285	132	12	16.0	29	238



FEATURES:

Enhanced performance compared to conventional hexagon keys

Calibrated hexagon ends, for perfect screw fit

Ergonomic handle is accurately proportioned - depending on wrench size - to ensure high tightening values e.g. in confined spaces

**** Available for next day delivery from stock ****

Adjustable Wrenches with Scales, Chrome Plated

DIN 3117 ISO 6787

Ehrco Part Ref	L mm	L *	A max	Weight grams
111E-100	100	4	15	50
111E-150	150	6	24	142
111E-200	200	8	29	265
111E-250	250	10	34	387
111E-300	300	12	40	685
111E-380	380	15	45	1170
111E-450	450	18	54	1780
111E-600	600	24	62	3350



The new adjustable wrench with scale. Beta 111E, allows differently sized nuts and bolts to be tightened and loosened through the sliding jaw, which can be adjusted through the central roll.

FEATURES:

- Head angled at 15 degrees, allowing hardly accessible spaces to be reached
- New ergonomic properties resulting in 20% weight reduction
- Made from high-performance alloy steel for increased mechanical torsional strength
- Wide wrench opening
- Compact head with completely open jaw
- Double laser marking in mm/inches
- Complies with DIN 3117 - ISO 6787
- Right-hand rotation
- Matt chrome-plated heads for improved scale readout
- Matt chrome-plated body
- Special heat treatment for excellent wear resistance
- Large handle for optimized comfort
- Hole on handle for hanging wrench

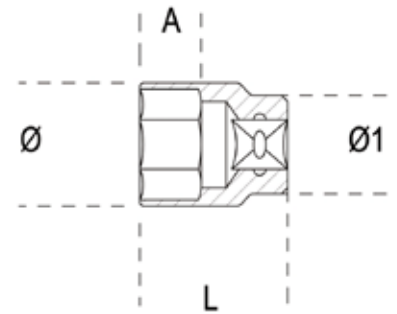
**** Available for
next day delivery from stock ****

EHRCO

Hexagon Hand Sockets (1/4" drive)

Ehrco Part Ref	To Suit mm	Ø mm	L mm	Ø1 mm	A mm	Weight grams
900-4	4.5	6.8	25	11.8	8.0	10
900-4,5	4.5	7.4	25	11.8	8.0	10
900-5	5	8.0	25	11.8	9.0	8
900-5,5	5.5	8.7	25	11.8	9.0	11
900-6	6	9.3	25	11.8	9.0	11
900-7	7	10.4	25	11.8	9.0	11.5
900-8	8	11.8	25	12.7	9.0	14
900-9	9	12.7	25	11.8	9.0	12
900-10	10	14.2	25	12.0	9.0	14
900-11	11	15.8	25	12.5	10.0	17
900-12	12	17.2	25	13.5	10.0	18
900-13	13	18.0	25	13.5	10.0	20
900-14	14	20.0	25	15.0	10.0	25

UNI/ISO 2725 DIN 3124



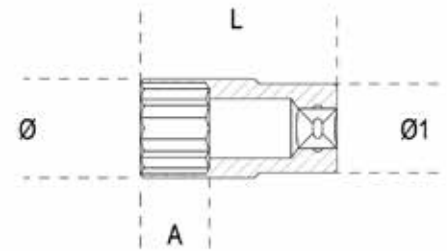
**** Available for next day delivery from stock ****

EHRCO

Hexagon Hand Sockets, Long Series (1/4" drive)

Ehrco Part Ref	To Suit mm	Ø mm	L mm	Ø1 mm	A mm	Weight grams
900L-4	4	6.5	50	12.0	5.0	23
900L-4,5	4.5	7.0	50	12.0	5.0	24
900L-5	5	7.5	50	12.0	5.0	24
900L-5,5	5.5	8.5	50	12.0	6.0	21
900L-6	6	9.5	50	12.0	7.0	25
900L-7	7	10.5	50	12.0	7.0	24
900L-8	8	12.0	50	12.0	8.0	24
900L-9	9	13.0	50	13.0	9.0	27
900L-10	10	14.0	50	14.0	10.0	36
900L-11	11	16.0	50	16.0	11.0	50
900L-12	12	17.5	50	17.5	13.0	52
900L-13	13	17.5	50	17.5	13.0	67
900L-14	14	20.0	50	20.0	13.0	81

UNI/ISO 2725 DIN 3124



**** Available for next day delivery from stock ****

EHRCO

Adaptor, 1/4" Female and 3/8" Male Drives

Ehrco Part Ref	L mm	Ø mm	Female	Male	Weight grams
900/16	28	13.0	1/4"	3/8"	16

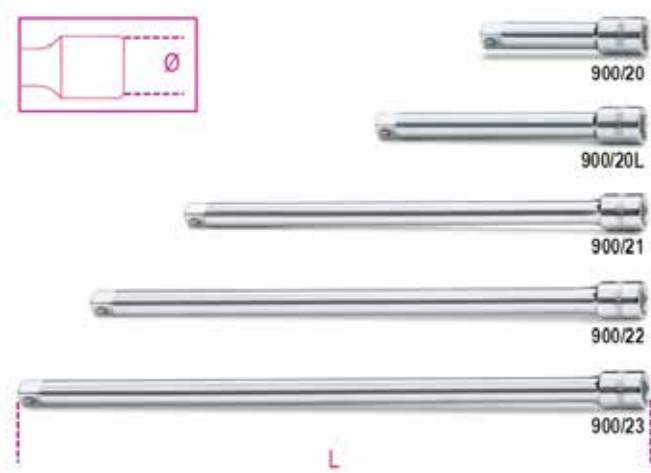
UNI/ISO 3316 DIN 3123



1/4" Female and Male Drive Extension Bars

Ehrco Part Ref	L mm	Ø mm	Female	Male	Weight grams
900/20	50	11.5	1/4"	1/4"	20
900/20L	100	11.5	1/4"	1/4"	44
900/21	150	11.5	1/4"	1/4"	64
900/22	250	11.5	1/4"	1/4"	108
900/23	350	11.5	1/4"	1/4"	147

UNI/ISO 3316 DIN 3123



**** Available for next day delivery from stock ****

1/4" Drive Universal Joint

Ehrco Part Ref	L mm	Ø mm	Female	Male	Weight grams
900/25	41	12.5	1/4"	1/4"	22

UNI/ISO 3316 DIN 3123



1/4" Drive Spinner Handle

Ehrco Part Ref	L	L1	Weight grams
900BG/30	176	68	60

UNI/ISO 3315 DIN 3122



**** Available for next day delivery from stock****

EHRCO

1/4" Drive Sliding T-Handle

Ehrco Part Ref	L mm	A mm	Male	Weight grams
900/42	115	22.0	1/4"	37

UNI/ISO 3315 DIN 3122



1/4" Male Square Drive, Reversible Ratchet

Ehrco Part Ref	L mm	Ø mm	A mm	Male	Weight grams
900/55	127	25.0	29	1/4"	92

UNI/ISO 3315 DIN 3122



EHRCO

**** Available for next day delivery from stock ****

Adaptor, 3/8" Female and 1/4" Male Driver

Ehrco Part Ref	L mm	Ø mm	Female	Male	Weight grams
910/15	30	17.0	3/8"	1/4"	25.8

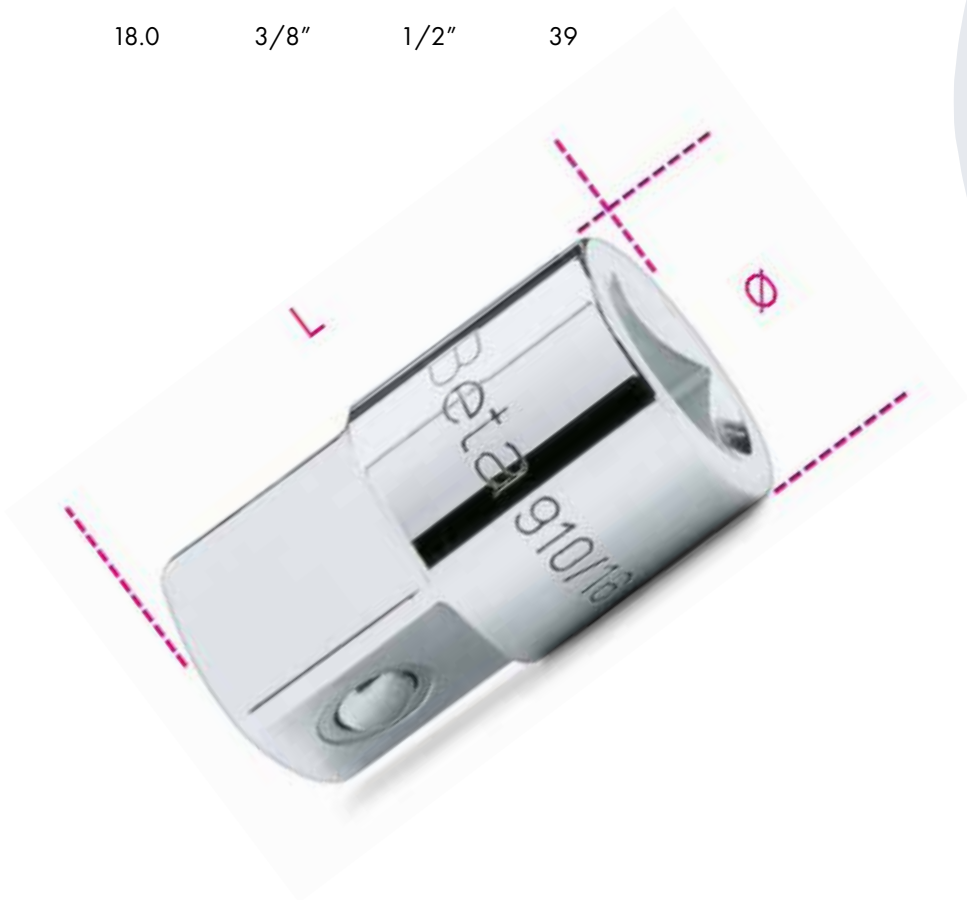
UNI/ISO 3316 DIN 3123



Adaptor, 3/8" Female and 1/2" Male Driver

Ehrco Part Ref	L mm	Ø mm	Female	Male	Weight grams
910/16	32	18.0	3/8"	1/2"	39

UNI/ISO 3316 DIN 3123



EHRCO

**** Available for next day delivery from stock ****

3/8" Drive Extension Bars

Ehrco Part Ref	L mm	Ø mm	Female	Male	Weight grams
910/20	75	17.0	3/8"	3/8"	80
910/21	125	17.0	3/8"	3/8"	90
910/22	250	17.0	3/8"	3/8"	173.8

UNI/ISO 3316 DIN 3123



3/8" Drive Universal Joint

Ehrco Part Ref	L mm	Ø mm	Female	Male	Weight grams
910/25	54.6	19.0	3/8"	3/8"	70

UNI/ISO 3316 DIN 3123



EHRCO

**** Available for next day delivery from stock ****

3/8" Drive Sliding T-Handle

Ehrco Part Ref	L mm	A mm	Male	Weight grams
910/42	210	30.5	3/8"	160.2

UNI/ISO 3315 DIN 3122



3/8" Male Square Drive Reversible Ratchet

Ehrco Part Ref	L mm	Ø mm	A mm	Male	Weight grams
910/55	207	31.0	33	3/8"	247

UNI/ISO 3315 DIN 3122



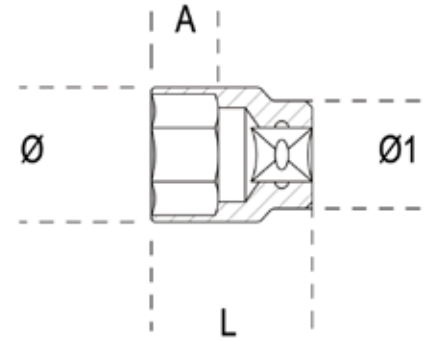
EHRCO

**** Available for next day delivery from stock ****

Hexagon Hand Sockets (3/8" Drive)

Ehrco Part Ref	To Suit mm	Ø mm	L mm	Ø1 mm	A mm	Weight grams
910A-6	6	9.5	28	16.7	4.0	21
910A-7	7	10.7	28	16.7	4.0	21
910A-8	8	12.1	28	16.7	5.0	24
910A-9	9	13.2	28	16.7	5.0	23
910A-10	10	14.6	29	16.7	6.0	26
910A-11	11	15.8	29	16.7	7.0	26
910A-12	12	17.2	30	17.7	8.0	32
910A-13	13	18.4	31	17.0	8.0	34
910A-14	14	19.7	32	17.5	10.0	37
910A-15	15	20.9	32	18.0	10.0	44
910A-16	16	22.2	33	18.5	10.0	51
910A-17	17	23.2	33	19.0	10.0	55
910A-18	18	24.7	34	20.0	12.0	65
910A-19	19	25.8	35	21.0	12.0	73
910A-20	20	27.2	35	22.0	12.0	74
910A-21	21	28.2	36	23.0	14.0	82
910A-22	22	29.7	37	24.0	14.0	100

UNI/ISO 2725 DIN 3124

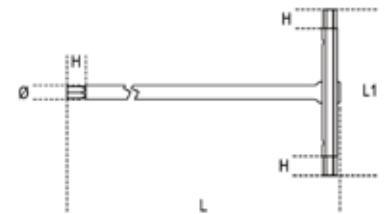


**** Available for next day delivery from stock ****

EHRCO

T Handle Wrenches with Three Hexagon Male Ends

Ehrco Part Ref	mm	L mm	L1 mm	Ø mm	H mm	Weight grams
951-2	2	125	63	4.0	5.5	20
951-2,5	2.5	150	63	4.0	6.0	20
951-3	3	150	63	4.0	6.5	22
951-3,5	3.5	175	76	5.5	7.5	46
951-4	4	175	76	5.5	8.0	47
951-4,5	4.5	195	87	6.5	8.5	75
951-5	5	195	87	6.5	9.0	76
951-6	6	215	99	8.0	10.0	117
951-7	7	230	109	9.0	11.0	163
951-8	8	250	122	10.0	12.0	219
951-9	9	365	132	11.0	13.0	289
951-10	10	280	142	12.0	14.0	371
951-12	12	305	160	15.0	15.0	613
951-14	14	330	178	17.0	17.0	884



The Beta 951 T-handle wrench has been designed on high-resistance screws, it is the name for quick handling, accurate fit and flexible use. Ongoing production improvements have translated, for example into sandblasted finishes and sharp-edged hexagon ends which allow a better fit onto any screws, including damaged ones. Laser marking results in a sturdier rod.

FEATURES:

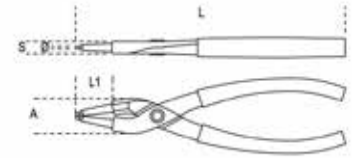
- Designed to develop high torque values
- Calibrated hexagon ends for perfect screw fit
- Hexagon bar can be stopped in required position throughout length, a safety catch prevents bar from coming out

**** Available for
next day delivery from stock****

Internal Circlip Pliers, Straight Pattern, PVC-Coated Handles

Ehrco Part Ref	L mm	Range mm	Ø1 mm	A mm	S mm	L1 mm	Weight grams
1032-140 x 09	140 x 0.9	8-12	0.9	20.0	9.0	20	100
1032-140 x 13	140 x 1.3	12-25	1.3	20.0	9.0	20	100
1032-180	180	19-60	1.9	21.0	10.0	24	150
1032-225	225	40-100	2.3	25.0	11.2	31	250
1032-300	300	85-200	3.2	28.0	12.9	38	470

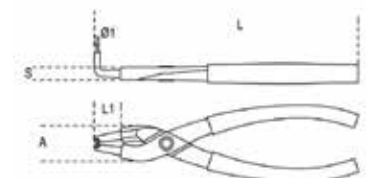
UNI 7914 DIN 5256



Internal Circlip Pliers, Bent Pattern, 90 deg PVC-Coated Handles

Ehrco Part Ref	L mm	Range mm	Ø1 mm	A mm	S mm	L1 mm	Weight grams
1034-130 x 09	130 x 0.9	8-12	0.9	20.0	9.4	12	100
1034-130 x 13	130 x 1.3	12-25	1.3	20.0	9.4	12	100
1034-170	170	19-60	1.9	21.0	10.0	15	150
1034-210	210	40-100	2.3	25.0	11.2	22	250
1034-290	290	85-200	3.2	28.0	12.9	30	470

UNI 7914 DIN 5256



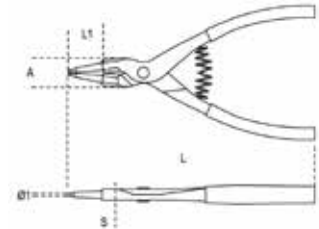
**** Available for next day delivery from stock ****

EHRCO

External Circlip Pliers, Straight Pattern, PVC-Coated Handles

Ehrco Part Ref	L mm	Range mm	Ø1 mm	A mm	S mm	L1 mm	Weight grams
1036-140 x 09	140 x 0.9	3-10	0.9	20.0	9.4	20	100
1036-140x13	140 x 13	10-25	1.3	20.0	9.0	20	100
1036-175	175	19-60	1.9	21.0	10.0	25	160
1036-225	225	40-100	2.3	25.0	11.2	11	250
1036-300	300	85-200	3.2	34.0	12.9	40	500

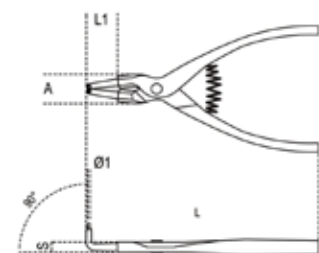
UNI 7915 DIN 5254



External Circlip Pliers, Bent Pattern, 90 deg PVC-Coated Handles

Ehrco Part Ref	L mm	Range mm	Ø1 mm	A mm	S mm	L1 mm	Weight grams
1038-135 x 09	135 x 0.9	3-10	0.9	20.0	9.4	12	100
1038-135 x 13	135 x 1.3	10-25	1.3	20.0	9.4	12	100
1038-175	175	19-60	-	21.0	10.0	23	160
1038-220	220	40-100	-	25.0	11.2	23	250
1038-300	300	85-200	-	35.0	13.0	38	500

UNI 7915 DIN 5254



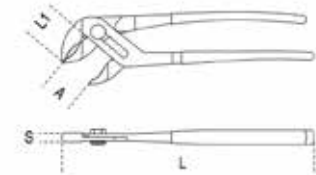
**** Available for next day delivery from stock ****

EHRCO

Slip Joint Pliers, Slip-Proof PVC Coated Handles

ISO 8976

Ehrco Part Ref	L mm	A Max mm	L1	S	Weight grams
1048N-175	175	36	31	11.0	189
1048N-250	250	46	38	13.0	354
1048N-300	300	60	44	14.8	554
1048N-400	400	96	81	19.0	1180



The improved geometry of the teeth - as subjected to induction hardening - ensures an effective, firm, safe, lasting hold for water pump pliers 1048N. The grip quality, enhanced by a head profile synonymous with optimized ergonomic handling and functionality, sets the 1048N item apart from conventional pliers available on the market. The peculiar slip joint provides optimal resistance to stress, while resulting in improved hexagon and pipe hold, based on eight adjustment options. Available in 3 sizes: 175, 250, 300mm.

FEATURES:

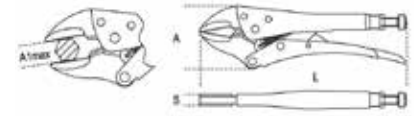
- Teeth geometry designed for better pipe and hexagon hold up to 60mm for the 300mm size
- Wider head/handle angle for improved ergonomic handling
- Triangular section grip for a more comfortable contact surface
- Tapered head allowing access to small spaces
- Contrast retainer preventing accidental hand crushing
- Up to 8 Adjustment settings
- Case-hardened nail for improved wear resistance
- Phosphated finish
- Slip-proof PVC handles
- Made from chrome-vanadium steel
- Complies with DIN ISO 8976

**** Available for next day delivery from stock ****

EHRCO

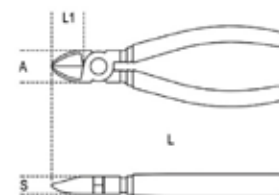
Adjustable Self-Locking Pliers, Concave jaws

Ehrco Part Ref	L mm	A mm	A1 Max mm	S mm	Weight grams
1052-140	140	48	22	6.0	175
1052-190	190	60	36	9.0	360
1052-240	240	72	42	10.0	590
1052-300	300	75	55	12.0	900



Diagonal Cutting Nippers, Chrome-Plated, Slip-Proof Double Layer PV Coated Handles

Ehrco Part Ref	L mm	L1 mm	A mm	S mm	Weight grams
1082-140	140	20	25.0	11.0	135
1082-160	160	22	28.0	12.0	180



UNI/ISO 5749

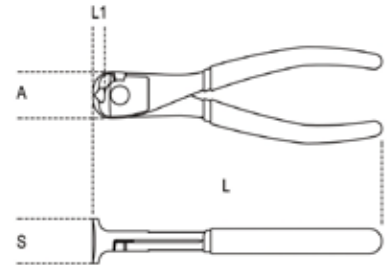
**** Available for next day delivery from stock ****

EHRCO

Heavy Duty End Cutting Nippers, Bi-Material Handles

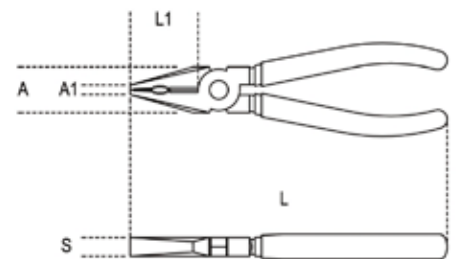
UNI/ISO 5748

Ehrco Part Ref	L mm	L1 mm	A mm	S mm	Weight grams
1088BM-160	160	9	28.0	11.0	230
1088BM-200	200	11	36.0	13.0	370



Combination Pliers Bright Chrome-Plated, Bi-Material Handles

Ehrco Part Ref	L mm	L1 mm	A mm	A1 mm	S mm	Weight grams
1150BM-160	160	37	24.0	6.3	11.0	200
1150BM-180	180	41	28.0	7.1	11.0	275
1150BM-200	200	45	32.0	8.0	14.0	310
1150BM-220	220	50	33.0	8.5	15.0	400
1150BM-160	160	42	22.0	5.6	10.0	200
1150BM-180	180	46	25.0	6.3	11.0	275
1150BM-200	200	50	27.0	7.1	11.5	310
1150BM-220	220	50	27.0	7.1	11.8	400



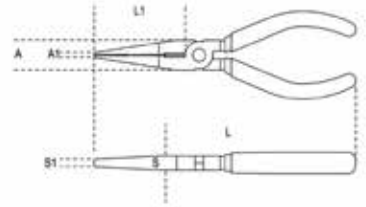
ISO 5746

**** Available for next day delivery from stock ****

Extra-Long Flat Knurled Nose Pliers, Chrome-Plated, Bi-Material Handles

ISO 5745

Ehrco Part Ref	L mm	L1 mm	A mm	A1 mm	S mm	S1 mm	Weight grams
1162BM-160	160	58	19.0	4.0	9.0	4.5	153
1162BM-200	200	86	22.0	5.0	11.0	5.0	200



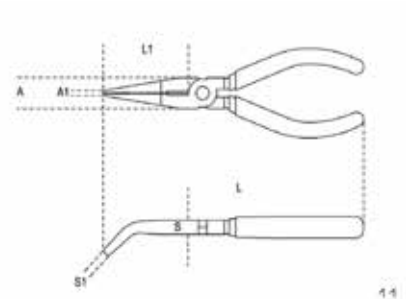
Extra-Long Bent Flat Knurled Nose Pliers, Bi-material Handles

Ehrco Part Ref	L mm	L1 mm	A mm	A1 mm	S mm	S1 mm	Weight grams
1164BM-160	160	56	9.0	4.0	9.0	4.5	150
1164BM-200	200	76	22.0	5.0	11.0	5.0	190

EHRCO



ISO 5745

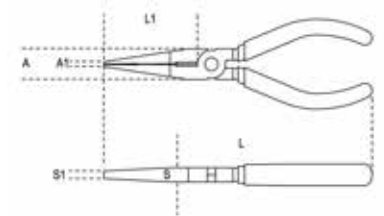


**** Available for next day delivery from stock ****

Extra-Long Needle Knurled Nose Pliers, Chrome Plated, Bi-Material Handles

ISO 5745

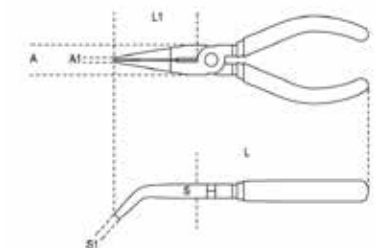
Ehrco Part Ref	L mm	L1 mm	A mm	A1 mm	S mm	S1 mm	Weight grams
1166BM-160	160	56	19.0	2.5	9.0	3.2	142
1166BM-200	200	76	22.0	5.0	11.0	4.0	200



Extra Long Bent Needle Knurled Nose Pliers, Chrome-Plated, Bi-Material Handles

EHRCO

Ehrco Part Ref	L mm	L1 mm	A mm	A1 mm	S mm	S1 mm	Weight grams
1168BM-160	160	54	19.0	2.5	9.0	3.2	140
1168BM-200	200	70	22.0	5.0	11.0	4.0	210



ISO 5745

**** Available for next day delivery from stock ****

Evox Screwdrivers for Slotted Head Screws

Chrome Plated, Black Tips

ISO 2380

Ehrco Part Ref	PHxDxL mm	L1 mm	Ø mm	Weight grams
1201E-2,5 x 50	0.4 x 2.5 x 50	146	2.5	35
1201E-2,5 x 75	0.4 x 2.5 x 75	166	2.5	35.5
1201E-3 x 75	0.5 x 3 x 75	171	3	37.4
1201E-3 x 100	0.5 x 3 x 100	196	3	40
1201E-3,5 x 75	0.6 x 3.5 x 75	171	3.5	41.1
1201E-3,5 x 100	0.6 x 3.5 x 100	196	3.5	41.2
1201E-4 x 100	0.8 x 4 x 100	196	4	44.6
1201E-4 x 125	0.8 x 4 x 125	221	4	46.6
1201E-4X150	0.8 x 4 x 150	246	4	50.3
1201E-5,5 x 100	1.0 x 5.5 x 100	209	5	69.6
1201E-5,5 x 125	1.0 x 5.5 x 125	234	5	70.5
1201E-5,5 x 150	1.0 x 5.5 x 150	259	5	75.8
1201E-6,5 x 100	1.2 x 6.5 x 100	220	6	95.8
1201E-6,5 x 125	1.2 x 6.5 x 125	234	6	99
1201E-6,5 x 150	1.2 x 6.5 x 150	270	6	104.8
1201E-8 x 150	1.2 x 8 x 150	282	8	159
1201E-8 x 200	1.2 x 8 x 200	332	8	209.8
1201E-10 x 200	1.6 x 10 x 200	332	9.5	220.6



FEATURES:

- Bi-material handle for maximum force transmission with minimum effort and optimal comfort
- The ergonomic design fits the palm of the hand perfectly
- The style and size of the tip are printed on the round cap for quick identification
- Beta's tried and tested blades ensure unique elasticity. Hardness and wear resistance, for top-end professional tools.
- Contrast retainer preventing accidental hand crushing
- Beta's tried and tested blades ensure unique elasticity. Hardness and wear resistance, for top-end professional tools.
- Chrome-plating free tip for perfect screw coupling, protected from oxidation with phosphate-coating treatment
- The brand new hole on the handle allows the screwdriver to for easy storage

**** Available for
next day delivery from stock ****

Evox Screwdrivers for Cross Head Philips Screws, Chrome Plated, Black Tips

UNI-ISO 8764

Ehrco Part Ref	PHxDxL mm	L1 mm	Weight grams
1202E-3 x 60	0 x 3 x 60	156	36.8
1202E-3 x 100	0 x 3 x 100	200	45.8
1202E-4,5 x 80	1 x 4.5 x 80	189	61.6
1202E-4,5 x 120	1 x 4.5 x 120	229	67.2
1202E-6 x 100	2 x 6 x 100	220	94
1202E-6 x 150	2 x 6 x 150	270	105.6
1202E-8 x 150	3 x 8 x 150	282	161
1202E-9,5 x 200	4 x 9.5 x 200	332	243



FEATURES:

- Bi-material handle for maximum force transmission with minimum effort and optimal comfort
- The ergonomic design fits the palm of the hand perfectly
- The style and size of the tip are printed on the round cap for quick identification
- Chrome- plating free tip for perfect screw coupling, protected from oxidation with phosphate-coating treatment
- Beta's tried and tested blades ensure unique elasticity. Hardness and wear resistance, for top-end professional tools.

**** Available for
next day delivery from stock****

Engineer's Hammer, Wooden Shaft

UNI 7778 DIN 1041

Ehrco Part Ref	Head grams	A mm	L mm	L1 mm	Weight grams
1370-100	100	15	260	82	147
1370-200	200	19	280	95	236
1370-300	300	23	300	105	439
1370-400	400	25	310	112	535
1370-500	500	27	320	118	669
1370-600	600	30	330	122	745
1370-800	800	33	350	130	949
1370-1000	1000	36	360	135	1180
1370-1500	1500	42	380	145	1722
1370-2000	2000	47	400	155	2181



EHRCO

Soft Face Hammers, Wooden Shaft

UNI 7784

Ehrco Part Ref	Ø mm	L mm	L1 mm	Weight grams
1390-22	22	260	70	134
1390-28	28	280	85	230
1390-35	35	310	95	365
1390-45	45	320	107	698
1390-60	60	380	128	1462



Dead-Blow Hammers Entirely Covered with Rubber

Ehrco Part Ref	Ø mm	L mm	L1 mm	Weight grams
1391-35	35	280	90	444
1391-50	50	320	105	913
1391-55	55	355	110	1012
1391-65	65	380	130	1435

Shots in hollow heads move in opposite direction compared to dead-blow hammer, thereby balancing strength of impact and preventing rebounds



TRADE COUNTER

We have a fully stocked trade counter where hose assemblies can be made while you wait



PRESSURE TESTING

Up to 2000 BAR with certification on request



HOSE ASSEMBLY WORKSHOP

We are able to produce singles, batches and kits for hydraulic, jet wash, LPG & paint spray applications



EHRCO Limited
Unit H, Peartree Business Park,
Crackley Way, Peartree Lane,
Dudley DY2 0UW
T: 01384 245000
F: 01384 245 001
e: sales@ehrco.ltd.uk

